



TECHNICAL MANUAL

JennAir® and KitchenAid®
36", 42", and 48" Built-In Side by Side
Refrigerators



JBSFS42NMX00
JBSS48E22L00
KBSD708M*S00



JBSFS48NMX00
KBSD702M*S00
KBSN702M**00

JBSS42E22L00
KBSD706MPS00
KBSN708M**00

W11636548 Rev A

FOREWORD

This Technical Manual (Part No. W11636548 Rev A), provides the In-Home Service Professional with service information for the “JennAir® and KitchenAid® 36”, 42”, and 48” Built-In Side by Side Refrigerators.”

The Wiring Diagram used in this Technical Manual is typical and should be used for training purposes only. Always use the Wiring Diagram supplied with the product when servicing the refrigerator.

For specific operating and installation information on the model being serviced, refer to the literature provided with the refrigerator.

GOALS AND OBJECTIVES

The goal of this Technical Manual is to provide information that will enable the In-Home Service Professional to properly diagnose malfunctions and repair the “JennAir® and KitchenAid® 36”, 42”, and 48” Built-In Side by Side Refrigerators.”

The objectives of this Technical Manual are to:

- Understand and follow proper safety precautions.
- Successfully troubleshoot and diagnose malfunctions.
- Successfully perform necessary repairs.

WHIRLPOOL CORPORATION assumes no responsibility for any repairs made on our products by anyone other than authorized In-Home Service Professionals.

©2023 Whirlpool Corporation. Benton Harbor, MI 49022

TABLE OF CONTENTS

JennAir® and KitchenAid® 36", 42", and 48" Built-In Side by Side Refrigerators

SECTION 1: GENERAL INFORMATION	1-1
SAFETY	1-2
PRODUCT SPECIFICATIONS.....	1-3
PRODUCT FEATURES.....	1-8
MODEL NUMBER NOMENCLATURE	1-14
MODEL NUMBER AND SERIAL NUMBER LABEL LOCATION	1-16
TECH SHEET LOCATION	1-16
SECTION 4: COMPONENT ACCESS	4-1
TOP OF THE REFRIGERATOR	4-2
INSIDE THE REFRIGERATOR COMPARTMENT (RC).....	4-6
INSIDE THE FREEZER COMPARTMENT (FC)	4-9
FC DOOR (DISPENSING UNITS ONLY)	4-16
UNDER THE REFRIGERATOR	4-19
BACK OF THE REFRIGERATOR	4-21

Notes

Section 1: General Information

This section provides general safety, parts, and information for the “JennAir® and KitchenAid® 36”, 42”, and 48” Built-In Side by Side Refrigerators.”

- Safety
- Product Specifications
- Product Features
 - Using the Controls
- Model Number Nomenclature
- Model Number and Serial Number Label Location
- Tech Sheet Location

Safety

Your safety and the safety of others are very important.

We have provided many important safety messages in this manual and on your appliance. Always read and obey all safety messages.



This is the safety alert symbol.

This symbol alerts you to potential hazards that can kill or hurt you and others.

All safety messages will follow the safety alert symbol and either the word "DANGER" or "WARNING." These words mean:

⚠ DANGER

You can be killed or seriously injured if you don't immediately follow instructions.

⚠ WARNING

You can be killed or seriously injured if you don't follow instructions.

All safety messages will tell you what the potential hazard is, tell you how to reduce the chance of injury, and tell you what can happen if the instructions are not followed.

IMPORTANT SAFETY INSTRUCTIONS

WARNING: To reduce the risk of fire, electric shock, or injury to persons when using your appliance, follow basic precautions, including the following:

- Children should be supervised to ensure that they do not play with the appliance.
- This appliance is not intended for use by persons (including children) with reduced physical, sensory, or mental capabilities, or lack of experience and knowledge, unless they have been given supervision or instruction concerning use of the appliance by a person responsible for their safety.
- Do not use an extension cord.
- If power supply cord is damaged, it must be replaced by the manufacturer, its service agent, or a similarly qualified person in order to avoid a hazard.
- Connect to potable water supply only.
- This appliance is intended to be used in household and similar applications such as: staff kitchen areas in shops, offices, and other working environments; farm houses and by clients in hotels, motels, and other residential-type environments; bed and breakfast-type environments; and catering and similar non-retail applications.
- Do not store explosive substances such as aerosol cans with a flammable propellant in this appliance.
- Do not use replacement parts that have not been recommended by the manufacturer (e.g., parts made at home using a 3D printer).
- Keep ventilation openings, in the appliance enclosure or in the built-in structure, clear of obstruction.
- Do not use mechanical devices or other means to accelerate the defrosting process, other than those recommended by the manufacturer.
- Do not damage the refrigerant circuit.
- Do not use electrical appliances inside the food storage compartments of the appliance, unless they are of the type recommended by the manufacturer.
- Ice maker kit can be added to some models. See serial tag inside the food compartment of appliance for ice maker kit model information.
- A qualified service technician must install the water line and ice maker. See installation instructions supplied with ice maker kit for complete details.

SAVE THESE INSTRUCTIONS

Product Specifications

JennAir® Built-In Side by Side Refrigerators

AHAM Volumes And Shelf Area	
Freezer Volume (cu ft)	9.2 or 10.3
Refrigerator Volume (cu ft)	16.3 or 19.1 or 25.5
Total Volume (cu ft)	25.5 or 29.4
Bottle Capacity	16
Dimensions	
Capacity (cu ft)	25.5 or 29.4
Carton Depth (IN, inches)	30
Carton Height (IN, inches)	86
Carton Width (IN, inches)	44 or 50
Cutout Depth Max (IN, inches)	25
Cutout Depth (IN, inches)	24 or 25
Cutout Height Min (IN, inches)	84
Cutout Height (IN, inches)	84
Cutout Width (IN, inches)	41 $\frac{1}{2}$ or 42 or 47 $\frac{1}{2}$ or 48
Depth Closed Excluding Handles (IN, inches)	24 or 25
Depth Closed Including Handles (IN, inches)	27 $\frac{11}{16}$
Depth Excluding Doors (IN, inches)	22 $\frac{3}{8}$
Depth With Door Open 90 Degree (IN, inches)	46 $\frac{3}{4}$ or 47 $\frac{3}{16}$ or 50 $\frac{1}{4}$ or 50 $\frac{11}{16}$
Depth (IN, inches)	24 $\frac{3}{4}$ or 27 $\frac{3}{4}$
Height to Top Of Cabinet (IN, inches)	74 $\frac{1}{2}$ or 83 $\frac{7}{8}$
Height to Top of Door Top Grill (IN, inches)	83 $\frac{3}{8}$
Height (IN, inches)	83 $\frac{7}{8}$ or 83 $\frac{3}{8}$
Net Weight (LB, pounds)	601
Width Doors Open 90 Degrees	46 $\frac{3}{4}$ or 47.2 or 50 $\frac{1}{4}$ or 50 $\frac{11}{16}$
Width (IN, inches)	41 $\frac{3}{4}$ or 42 $\frac{3}{8}$ or 47 $\frac{3}{4}$ or 48 $\frac{3}{8}$
Description	
Installation Option	Built-In
Refrigerator Type	Side-by-Side
Exterior	
Base Grille Color	Black
Cabinet Color	Grey
Cabinet Finish	Smooth
Door Color	Panel Ready or Stainless Steel
Door Finish	Smooth
Door Style	Flat
Handle Color	Stainless Steel
Handle Material	Metal
Handle Type	Reach Through Handle
Hidden Hinge	Yes
Number of Doors	2

GENERAL INFORMATION (CONT.)

Controls	
Automatic Defrost	Yes
Control Location	Exterior or Interior Up Front
Control Type	Electronic
Door Ajar/Open Alarm	Yes
Max Cool/Fast Cool	Yes
Sabbath Mode	Yes
Water Filter Indicator/Reset	Yes
Refrigerator Compartment	
Door Bins	1 Full-Width Gallon 3 Adjustable Full-Width
Lighting	LED
Non Climate Control Drawers	2 Full Width
Number of Interior Shelves	4
Shelf Supports	Cantilever
Spill-Proof Glass Shelves	4 Adjustable Full Width
Temperature-Controlled Drawers	1 Full Width
Freezer Compartment	
Door Type	Swing
Freezer Drawer/Basket	2 Full Width Lower
Freezer Number of Shelves	4 or 6
Freezer Type	Standard
Light	LED
Shelves	2 Adjustable Full Width Wire 2 Fixed Full Width Wire or 2 Adjustable Full Width Wire 4 Adjustable Full Width Wire or 2 Fixed Full Width Wire 4 Adjustable Full Width Wire
Dispenser	
Dispenser Type	No Dispenser or Exterior Ice and Water
Dispenser Options	Light Ice Filtered Water Ice Dispenser Lock Measured Fill
Icemaker	
Icemaker	Factory Installed
Icemaker Location	Freezer
Design Type	
Design Expression	Panel-Ready or RISE™
Details	
Refrigerant	R600a
Ice Production Per Day (lbs)	More than 3.0 lb
Filters	
Fresh Flow Air Filter Included	Yes
Produce Preserver	Yes
Water Filter Location	Exterior

Certifications	
CEE Tier	Tier I
Prop 65	Standard
Star K Certified	Yes
UL	Yes
Energy Star® Qualified	ENERGY STAR® Qualified
Electrical	
Amps	15
Volts	120

KitchenAid® Built-In Side by Side Refrigerators

AHAM Volumes And Shelf Area	
Freezer Volume (cu ft)	7.3 or 8.8 or 9.2 or 10.3 or 10.9
Refrigerator Volume (cu ft)	13.5 or 16.3 or 19.1
Total Volume (cu ft)	20.8 or 25.1 or 25.5 or 29.4 or 30
Dimensions	
Cabinet Width (IN, inches)	35 or 41 or 47
Carton Depth (IN, inches)	31 or 31½
Carton Height (IN, inches)	86
Carton Width (IN, inches)	38 or 44½ or 45 or 50½
Cutout Depth (IN, inches)	24
Cutout Height Min (IN, inches)	83½
Cutout Height (IN, inches)	83½
Cutout Width (IN, inches)	35½ or 41½ or 47½
Depth Closed Excluding Handles (IN, inches)	25
Depth Closed Including Handles (IN, inches)	25 or 27 ¹¹ / ₁₆
Depth Excluding Doors (IN, inches)	22 ³ / ₈
Depth With Door Open 90 Degree (IN, inches)	43 ³ / ₄ or 47 ³ / ₁₆ or 50 ¹¹ / ₁₆
Depth (IN, inches)	25 or 27 ¹¹ / ₁₆
Height to Top Of Cabinet (IN, inches)	74½
Height to Top of Door Top Grill (IN, inches)	83 ³ / ₈
Maximum Height (IN, inches)	83 ³ / ₈
Width Doors Open 90 Degrees	43 ³ / ₄ or 47.2 or 50 ¹¹ / ₁₆
Width (IN, inches)	35¼ or 40¾ or 46¾ or 47¼
Description	
Refrigerator Type	Side-by-Side
Details	
Advance Foam Insulation	Using Advance Foam Insulation in our refrigerators that provides over 99% lower global warming potential
Refrigerant	R600a

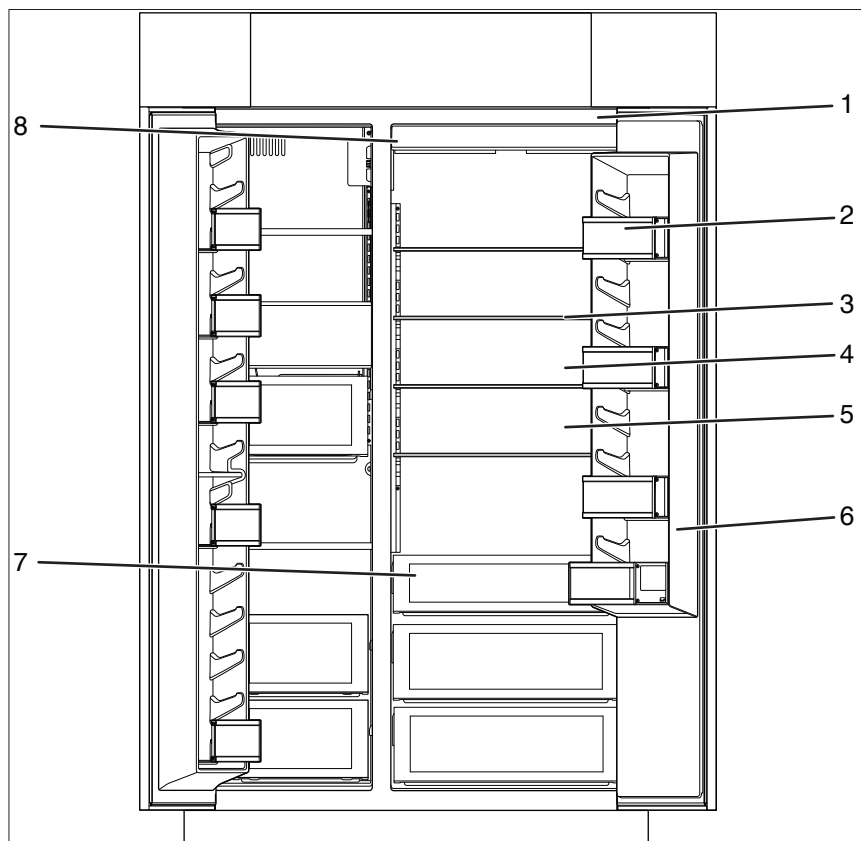
GENERAL INFORMATION (CONT.)

Exterior	
Base Grille Color	Black
Cabinet Color	Grey
Cabinet Finish	Smooth
Door Color	Black Stainless Steel or Panel Ready or Stainless Steel or Stainless Steel with PrintShield Finish
Door Finish	Smooth
Door Style	Flat
Fingerprint Resistant	Yes
Handle Color	Stainless Steel
Handle Material	Metal
Handle Type	Reach Through Handle
Hidden Hinge	Yes
Controls	
Automatic Defrost	Yes
Control Location	Exterior or Interior Up Front
Control Options	Vacation Mode
Control Type	Electronic
Door Ajar/Open Alarm	Yes
Max Cool/Fast Cool	Max Freeze/Max Cool
Sabbath Mode	Yes
Water Filter Indicator/Reset	Yes
Refrigerator Compartment	
Additional Storage	Under Shelf Prep Zone Faux Wood Pull Out Tray
Conventional Shelves	1 Slide-Out-Wood Finish
Door Bins	1 Full Width Non Adjustable Small Item 1 Full Width Non Adjustable Gallon 3 Adjustable Full-Width
Lighting	LED
Non Climate Control Drawers	2 Full Width
Number of Interior Shelves	4
Shelf Supports	Cantilever
Spill-Proof Glass Shelves	3 Adjustable Full Width Nano Edge
Supplementary Containers	1 9x13 Cake Pan 1 9x13 Sheet Pan or 1 9x13 Cake Pan 1 9x13 Sheet Pan Under Shelf Prep Zone or 1 9x9 Cake Pan 2 9x9 Loaf Pans
Temperature-Controlled Drawers	1 Full Width

GENERAL INFORMATION (CONT.)

Freezer Compartment	
Door Bins	3 Adjustable Full-Width or 5 Adjustable Full-Width
Freezer Drawer/Basket	1 Fixed Full Width Upper 2 Full Width Lower
Freezer Number of Shelves	6
Light	LED
Shelves	2 Fixed Full Width Wire 4 Adjustable Full Width Wire
Dispenser	
Dispenser Options	Light Ice Filtered Water Ice Dispenser Lock Measured Fill
Dispenser Type	Exterior Ice and Water or No Dispenser
Icemaker	
Icemaker	Factory Installed
Icemaker Location	Freezer
Filters	
Air Filter Part Number	W10311524
Water Filter Location	Exterior
Water Filter Part Number	EDR3RXD1
Certifications	
ADA Compliant	ADA Compliant when ice maker is not connected
CEE Tier	Tier I
Energy Star® Qualified	ENERGY STAR® Qualified
Prop 65	Standard
Star K Certified	Yes
Electrical	
Amps	15
Volts	120

Product Features



1. Fully Integrated and Flush Design with Articulating Hinge

Creates an integrated appearance with custom cabinetry without exposed hinges or trim pieces.

2. Adjustable Door Bins with Metal Accents

Refrigerator and freezer door bins can be positioned to accommodate a variety of container sizes.

3. Adjustable Elegance Shelving

Glass shelves, accented with brushed aluminum, make foods and beverages appear to float, allowing more light to fill the interior.

4. Obsidian Interior

Satisfies consumer's desire to make a design statement with an exclusive color among luxury refrigerators on the market.

5. Multi-Point LED Theater Lighting

Minimizes shadows and evenly distributes light throughout the refrigerator, crisper and freezer.

6. 90°/110° Door Stop Lighting Position

Limits the opening angle of a refrigerator to either 90° or 110°.

7. Soft, Auto-Close Crisper Drawers

Provide smooth operation by rolling open even when fully loaded, and feature an innovative auto-close design that pulls the drawer closed.

Electronic Controls with LED Display

Allow independent control of refrigerator and freezer temperatures with an integrated design that is easy-to-clean and responds to touch for easy operation.

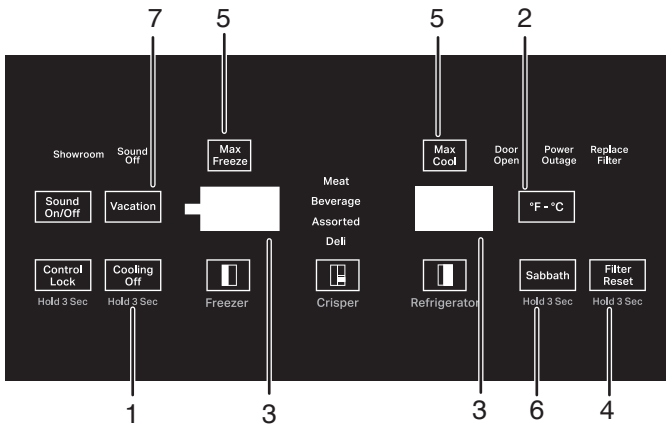
8. Water Filter Indicator (On Some Models)

The water filter indicator, located on the control panel, will help you know when to change the water filter.

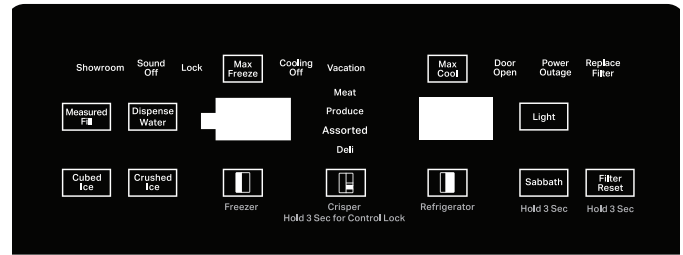
It is recommended that you replace the filter when "Replace Filter" is displayed or when water flow to your water dispenser and/or ice maker decreases noticeably.

After changing the water filter, press and hold FILTER RESET for 3 seconds until the "Replace Filter" indicator light disappears.

Using The Controls



Non-Dispenser Control Panel



Dispenser Control Panel

IMPORTANT:

- The refrigerator control adjusts the refrigerator compartment temperature. The freezer control adjusts the freezer compartment temperature.
- Wait 24 hours after you turn on the refrigerator before you put food into it. If you add food before the refrigerator has cooled completely, your food may spoil.

NOTE: Adjusting the refrigerator and freezer controls to a lower (colder) setting will not cool the compartments any faster.

- If the temperature is too warm or too cold in the refrigerator or freezer, first check the air vents to be sure they are not blocked before adjusting the controls.
- The preset settings should be correct for normal household usage. The controls are set correctly when milk or juice is as cold as you like and when ice cream is firm.
- The actual temperature may differ from the display when a door is open for an extended period of time.

NOTE: The factory recommended set points are 0°F (-18°C) for the freezer and 37°F (3°C) for the refrigerator.

1. Turning Refrigerator ON and Viewing Set Points

Your refrigerator and freezer will not cool when cooling is turned OFF. Follow the directions specific to your model.

Turn ON - Dispenser Model

- Press and hold Max Freeze and Max Cool buttons at the same time for 3 seconds.
- Cooling OFF button blinks twice and remains ON.

Turn ON - Non-Dispensing Model

- Press and hold Cooling OFF button for 3 seconds.
- Cooling OFF button blinks twice and remains ON.

NOTE: The Cooling ON/OFF touch pad on the control panel shuts down refrigerator functions such as cooling, lighting, fans, and compressors. To turn the power OFF completely, use the power ON/OFF switch located behind the top grille.

2. Setting the Temperature F°/C°

Dispensing Models

Press and hold the Max Cool and Crisper buttons at the same time for 3 seconds to change between Celsius and Fahrenheit. When activated, the selected temperature option displays. When deactivated, the display is OFF.

Non-Dispensing Models

Press F°-C° button to change between Celsius and Fahrenheit. When activated, the selected temperature option displays. When deactivated, the LED is OFF.

3. Adjusting Controls

NOTE: Wait at least 24 hours between adjustments. Recheck the temperatures before other adjustments are made.

To Adjust Set Point Temperatures:

- Press the refrigerator or freezer PLUS (+) or MINUS (-) touch pad until the desired temperature is reached.
- Press the Set to Recommended touch pad to reset the set points to the factory recommended temperatures.

NOTE: The set point range for the freezer is -8°F (-22°C) to 5°F (-15°C). The set point range for the refrigerator is 33°F (1°C) to 43°F (6°C).

Condition/Reason	Temperature Adjustment
REFRIGERATOR too cold	REFRIGERATOR Control 1°C or 2°F higher
REFRIGERATOR too warm	REFRIGERATOR Control 1°C or 2°F lower
FREEZER too cold	FREEZER Control 1°C or 2°F higher
FREEZER too warm/too little ice	FREEZER Control 1°C or 2°F lower

4. Water Filter Indicator and Reset

The water filter indicator, located on the control panel, will help you know when to change the water filter.

It is recommended that you replace the filter when “Replace Filter” is displayed or when water flow to your water dispenser and/or ice maker decreases noticeably.

After changing the water filter, press and hold FILTER RESET for 3 seconds until the “Replace Filter” indicator light disappears.

GENERAL INFORMATION (CONT.)

5. Max Cool/Max Freeze

The Max Cool feature assists with periods of heavy ice usage, full grocery loads, or temporarily warm room temperatures.

- Press MAX COOL to turn ON the Max Cool feature. The Max Cool indicator light will remain on for 24 hours unless manually turned OFF.

NOTE: The temperature display will remain at 33°F (1°C) and -8°F (-22°C) for the refrigerator and freezer compartments, respectively, while the Max Cool feature is enabled. After 24 hours, the refrigerator returns to the previous temperature set points.

The Max Freeze feature assists with temporary periods of heavy ice use by increasing ice production.

- Press Max Freeze to set the freezer to the lowest temperature setting. Press the Max Freeze feature touch pad again to return to the normal freezer set point.

NOTE: The Max Freeze feature will shut OFF automatically in approximately 48 hours.

- While Max Freeze is ON, changing the freezer temperature will deactivate Max Freeze.

6. Sabbath Mode

Your refrigerator is equipped with the Sabbath Mode feature, which is designed for those whose religious observances require turning OFF the lights and ice maker.

By selecting this feature:

- The temperature set points and Deli Pan settings remain unchanged.
- LEDs from the electronic controls will not display.
- The Sabbath button will be the only light displaying.
- Ice and Water will not dispense.
- No alarm will ring.
- Interior lights will turn OFF.
- The product will not change its behavior by opening the door.

For most efficient refrigerator operation, it is recommended to exit Sabbath mode when it is no longer required.

To fully activate Sabbath Mode, you must follow the instructions below for the control panel.

IMPORTANT: If you do not activate Sabbath Mode in both ways listed below, some functions you wish to disable will remain active.

Control Panel

In Sabbath Mode, the temperature set points remain unchanged and the interior lights turn OFF.

1. To turn ON the Sabbath Mode, Press the SABBATH button on the dispensing or internal controls.
2. Turn OFF Ice Maker.
3. Press the SABBATH button again for 3 seconds to turn OFF Sabbath Mode. Turn Ice Maker back ON.

NOTE: If a power outage occurs while in Sabbath Mode the appliance will remain in Sabbath Mode when power returns.

7. Vacation Care

Vacation

If You Choose to Leave the Refrigerator On While You're Away:

1. Use up any perishables and freeze other items.
2. If your refrigerator has an automatic ice maker, and is connected to the household water supply, turn OFF the water supply to the refrigerator. Property damage can occur if the water supply is not turned OFF.
3. If you have an automatic ice maker, turn off the ice maker.
4. Empty the ice bin.
5. Set Vacation Mode.

For Non-Dispensing Units:

1. Press Vacation button to turn ON and light displays. Press again to turn OFF

For Dispensing Units:

1. To turn ON Vacation mode, Hold [max freeze] and [Freezer] button for 3 seconds, the Vacation indicator shows 100% bright and blinks twice and remains ON.
2. To turn OFF Vacation mode, Hold [max freeze] and [Freezer] button for 3 seconds, the vacation indicator blinks twice and remains OFF.

NOTE: Activating Vacation mode does not turn off the ice maker.

If you choose to turn OFF the refrigerator before you leave:

1. Remove all food from the refrigerator.
2. If your refrigerator has an automatic ice maker:
 - Turn OFF the water supply to the ice maker at least one day ahead of time.
 - When the last load of ice drops, raise the wire shutoff arm to the Off (up) position or press the switch to Off, depending on your model.
3. Empty the ice bin.
4. Depending on your model, turn the Thermostat Control (or Refrigerator Control) to OFF. See "Using the Controls."
5. Clean refrigerator, wipe it, and dry well.
6. Tape rubber or wood blocks to the tops of both doors to prop them open far enough for air to get in. This stops odor and mold from building up.

Alarm Functions

Master Alarm Reset

Pressing Alarm Reset once will turn OFF the audio alarm and indicator light. The audio alarm will not sound again for the current condition that caused the alarm until a new condition occurs or until a Master Alarm Reset is performed.

A Master Alarm Reset can be performed by pressing Cooling (ON/OFF) twice or by turning the power to the refrigerator OFF and ON again.

After performing a Master Alarm Reset, the indicator light will reactivate if the condition that caused the alarm is still present.

Door Open

The Door Ajar Alarm feature sounds an alarm when the refrigerator or freezer door is open for 5 minutes and the product cooling is turned ON. The alarm will repeat every 2 minutes. Close both doors to turn it OFF. The feature then resets and will reactivate when either door is left open again for 5 minutes.

NOTE: To deactivate the audio alarm and indicator light, see "Master Alarm Reset."

Power Outage

The power outage indicator lets you know if the power supply to the refrigerator has been cut off and the freezer temperature has risen to 18°F (– 8°C) or higher. When power has been restored, the button repeatedly flashes and the red Power Outage icon appears. When the indicator is on, all other control and dispenser functions are disabled until you confirm that you are aware of the power outage.

To enable other functions, press Measured Fill to reset the display screen to its normal status.

Water and Ice Dispensers

Please read before using the water system. Follow the directions specific to your model.

Style 1 (Dispenser Models)

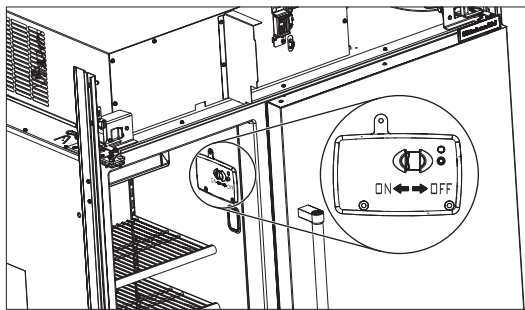
IMPORTANT:

- After connecting the refrigerator to a water source, replacing the water filter, follow the steps below to make sure that the water system is properly cleaned. This will flush air from the filter and water dispensing system, and prepare the water filter for use.
- Connect to potable water supply only.

Do not use with water that is microbiologically unsafe or of unknown quality without adequate disinfection before or after the system. Systems certified for cyst reduction may be used on disinfected waters that may contain filterable cysts.

NOTE: If your model has a base grille filter system, make sure the base grille filter is properly installed and the cap is in the horizontal position.

1. Open the freezer door and turn OFF the ice maker. The ON/OFF switch is located on the top right side of the freezer compartment. Move the switch to the OFF (right) setting as shown.



2. Use a sturdy container to depress and hold the water dispenser lever for 5 seconds, then release it for 5 seconds. Repeat until water begins to flow. Once water begins to flow, continue depressing and releasing the dispenser lever (5 seconds on, 5 seconds off) until a total of 3 gallon (12 L) has been dispensed. This will flush air from the filter and water dispensing system and prepare the water filter for use. Additional flushing may be required in some households.

NOTE: As air is cleared from the system, water may spurt out of the dispenser.

3. Open the freezer door and turn on the ice maker. Move the switch to the ON (left) position.

NOTE:

- Allow 24 hours to produce the first batch of ice.
- Discard the first three batches of ice produced.
- Allow 3 days to completely fill ice container.

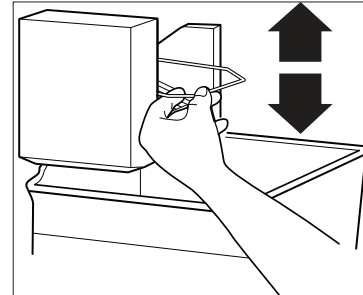
Style 2 (Non-Dispenser Models)

IMPORTANT: After connecting the refrigerator to a water source or replacing the water filter, fill and discard two full containers of ice to prepare the water filter for use, before using the ice.

Do not use with water that is microbiologically unsafe or of unknown quality without adequate disinfection before or after the system. Systems certified for cyst reduction may be used on disinfected waters that may contain filterable cysts.

NOTE: If your model has a base grille filter system, make sure the base grille filter is properly installed and the cap is in the horizontal position.

1. Turn on the ice maker. Lower the wire shutoff arm as shown.



NOTE:

- Allow 24 hours to produce the first batch of ice.
- Allow 3 days to completely fill ice container.
- Depending on your model, you may want to select the maximum ice feature to increase the production of ice.

IMPORTANT:

- After connecting the refrigerator to a water source, replacing the water filter, flush the water system. Use a sturdy container to depress and hold the water dispenser lever for 5 seconds, then release it for 5 seconds. Repeat until water begins to flow. Once water begins to flow, continue depressing and releasing the dispenser lever (5 seconds on, 5 seconds off) until a total of 3 gal. (12 L) has been dispensed. This will flush air from the filter and water dispensing system, and prepare the water filter for use. Additional flushing may be required in some households.

NOTE: As air is cleared from the system, water may spurt out of the dispenser.

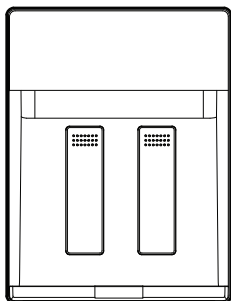
- Allow 24 hours for the refrigerator to cool down and chill water.
- Allow 24 hours to produce the first batch of ice. Discard the first three batches of ice produced.
- The dispensing system will not operate when the freezer door is open.
- Depending on your model, your water and ice dispensers may have one or more of the following features: A dispenser tray, a special light that turns on when you use the dispenser, or a lock option to avoid unintentional dispensing.

GENERAL INFORMATION (CONT.)

Water Dispenser

To Dispense Water:

1. Press a sturdy glass against the water dispenser pad.



NOTE:

- While dispensing water and for 3 seconds after dispensing has stopped, the digital display will show how many ounces of water have been dispensed.
 - Water will only dispense when left door is closed and will stop dispensing when door is opened.
 - It is NOT possible to dispense both water and ice at the same time. The paddle that is pressed first will be the one that dispenses.
2. Remove the glass to stop dispensing.

NOTE: Water may have an off-flavor if you do not use the dispenser periodically. Dispense enough water every week to maintain a fresh supply.

Ice Dispenser

Ice dispenses from the ice maker storage bin in the freezer when the dispenser pad is pressed. The dispensing system will not operate when the freezer door is open.

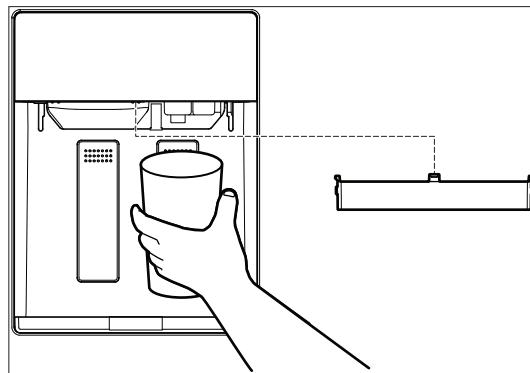
Your ice maker can produce both crushed and cubed ice. The display screen reads "CRUSHED" or "CUBED," indicating which type is selected. To change the setting, press the ICE button before dispensing ice.

For crushed ice, cubes are crushed before being dispensed. This may cause a slight delay when dispensing crushed ice. Noise from the ice crusher is normal, and pieces of ice may vary in size. When changing from crushed to cubed, a few ounces of crushed ice will be dispensed along with the first cubes.

To Dispense Ice:

1. Press the button to select the desired type of ice.

2. Press a sturdy glass against the ice dispenser pad. Hold the glass close to the dispenser opening so ice does not fall outside of the glass.



IMPORTANT: You do not need to apply a lot of pressure to the pad in order to activate the ice dispenser. Pressing hard will not make the ice dispense faster or in greater quantities.

3. Remove the glass to stop dispensing.

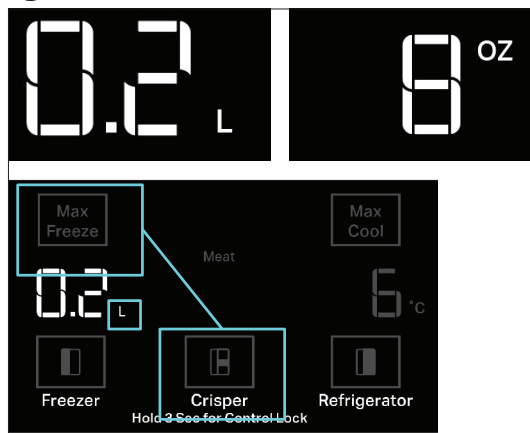
NOTE: Ice may continue to dispense for up to 10 seconds after removing the glass from the pad. The dispenser may continue to make noise for a few seconds after dispensing.

Dispenser Tray (on some models)

Some models have a tray at the bottom of the dispenser area. The tray is designed to catch small spills and is removable for easy emptying and cleaning.

NOTE: There is no drain in the tray.

Setting Liters and Ounces



Hold [Max Freezer] + [Crisper] button for 3 seconds to switch between L and OZ.

When activated, the corresponding point LED is lit at FULL brightness. The LED will turn off after 10 seconds if it's not in the mode associated to the water amount mode.

The L/OZ only turns on when there is an interaction associated to water amount (e.g. measured fill, calibration.)

WARNING



Cut Hazard

Use a sturdy glass when dispensing ice.

Failure to do so can result in cuts.

Measured Fill

Calibrate Measured Fill

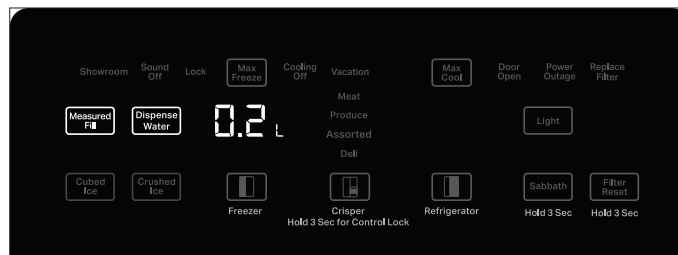
Household water pressure may affect the accuracy of the Measured Fill feature. For optimum performance of your water dispenser, you must first calibrate Measured Fill.

Start Calibration Mode

1. Press and hold the Measured Fill button for 3 seconds to enter Calibration Mode. The button will display along with the 0.2 L or 8 oz default settings.
2. Pressing the water pad will dispense water (e.g. into a measuring cup) until the desired amount is dispensed. Releasing the water pad will stop water dispensing.

Save and Exiting Calibration

1. If water was dispensed, pressing the Measured Fill button will save the amount dispensed, a tone will play and the calibration amount display will blink twice.
2. If no water was dispensed, Pressing the Measured Fill button will exit Calibration mode without saving the calibration amount.



NOTE: The amount of water you select will be dispensed. Be sure that the container is empty and can hold the entire volume. If ice is in the container, you may need to adjust your selection.

IMPORTANT: Low water pressure may affect the accuracy of this feature.

1. Press MEASURED FILL to turn the feature on. When the feature is on, the Measured Fill screen appears on the display.
2. To dispense water, press a sturdy glass against the water dispenser pad or place the glass below the water dispenser and press the MEASURED FILL button. Hold the glass close to the water dispenser spout to ensure that the water dispenses into the glass.
3. The Measured fill button can be pressed to loop the preset amounts. Each press advances the preset amount until the end of the options are reached. Example - 8 oz to 16 oz to 24 oz, END (0.2L to 0.5L to 1.0L, END).

NOTE:

- The dispenser will automatically turn off Measured Fill after 1 minute of inactivity. When Measured Fill is turned off, any changes you have made will be lost and all defaults will be restored.
- Most coffee cups are 4-6 oz (118-117 ml) and are not the same size as an 8 oz (237 ml) measuring cup. You may need to adjust the volume to avoid overfilling coffee cups.
- While dispensing water, the digital display will count down how much water remains to be dispensed, according to the volume you selected. The flow of water will automatically stop once the desired volume has been dispensed.

Model Number Nomenclature

JennAir® Model Number Nomenclature

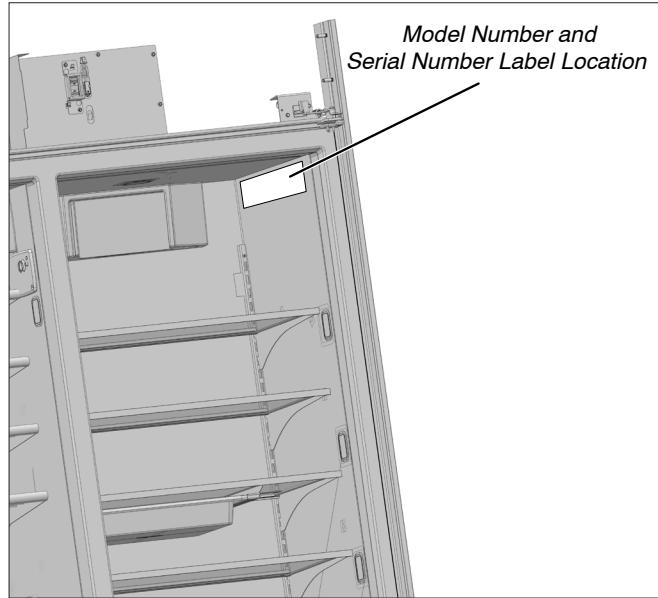
Model Number	J	B	S	F	S	42	N	M	X
INTERNATIONAL SALES OR MARKETING CHANNEL									
Brand J = JennAir®									
Category B = Built-In Refrigeration									
Configuration S = Side-by-Side									
Installation F = Flush Install (84 Inch tall) S = Standard Install (84 Inch tall)									
Product Detail S = SxS									
Size (Width) 42 = 42 Inch 48 = 48 Inch									
Feature Pack N = Non Dispense I = Internal Dispense E = External Dispense									
Production Year K = 2020 L = 2021 M = 2022									
Color SKU L = ProLux/RISE SS X = Custom Overlay									

Model Number Nomenclature

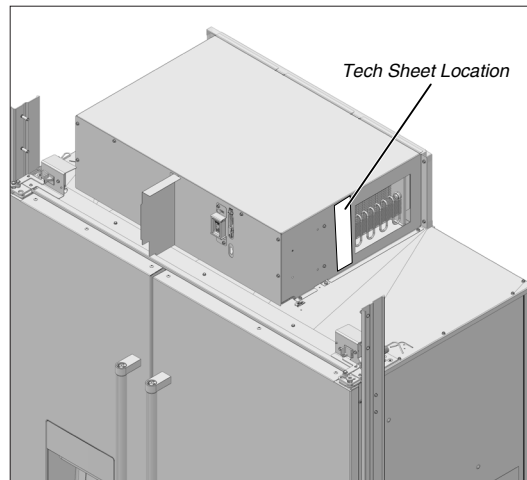
KitchenAid® Model Number Nomenclature

Model Number INTERNATIONAL SALES OR MARKETING CHANNEL	K	B	S	D	70	8	M	SS
Brand K = KitchenAid®								
Category B = Built-In Refrigeration								
Configuration S = Side by Side								
Product Detail D = External Ice and Water N = Non Dispenser								
Feature Pack 70 = Platinum Interior								
Width 6 = 36 Inch 2 = 42 Inch 8 = 48 Inch								
Production Year M = 2022								
Color BS = Black Stainless PA = Panel-Ready PS = Stainless Steel with PrintShield™ Finish SS = Stainless Steel								

Model Number and Serial Number Label Location



Tech Sheet Location



Section 4:

Component Access

This section provides service parts access, removal, and replacement instructions for the “JennAir® and KitchenAid® 36”, 42”, and 48” Built-In Side by Side Refrigerators.”

- Top of the Refrigerator
 - Removing the Front Decorative Cover
 - Removing the Front Access Panel
 - Removing the Unit Top Cover
 - Removing the Control Board
 - Removing the Light Switches
 - Removing the Condenser Fan Assembly
 - Accessing the Compressor and Inverter
- Inside the Refrigerator Compartment (RC)
 - Removing the Front Decorative Cover
 - Removing the User Interface Board (Non-dispensing Units Only)
 - Removing the RC Upper Air Diffuser Assembly
 - Removing the RC Lower Air Diffuser and Thermistor Assembly
 - Removing the RC Thermistor
 - Removing the LED Modules
 - Removing the Water Reservoir (Dispensing Units Only)
- Inside the Freezer Compartment (FC)
 - Removing the Front Decorative Cover
 - Removing the FC Thermistor
 - Removing the Evaporator Cover
 - Removing the Evaporator Fan
 - Removing the Evaporator Thermistor
 - Access to Evaporator
 - Removing the Ice Maker Assembly (Non-dispensing Units Only)
 - Removing the Ice Maker Assembly Dispensing Units Only
 - Removing the Fill Tube Heater (Non-dispensing Units Only)
 - Removing the Fill Tube (Non-dispensing Units Only)
 - Removing the Fill Tube (Dispensing Units Only)
 - Removing the Emitter Cover and Circuit Board (Dispensing Units Only)
 - Removing the Receiver Cover and Circuit Board (Dispensing Units Only)
- FC Door (Dispensing Units Only)
 - Removing the Front Decorative Cover
 - Removing the User Interface
 - Removing the Dispenser Pad Assembly
 - Removing the Ice Door Motor Assembly
 - Removing the Ice Auger Motor
 - Removing the Auger Motor Switch
- Under the Refrigerator
 - Accessing the Ice Maker Water Inlet and Isolation Valves
- Back of the Refrigerator
 - Access to Drain Pan Assembly

Top of the Refrigerator

⚠ WARNING

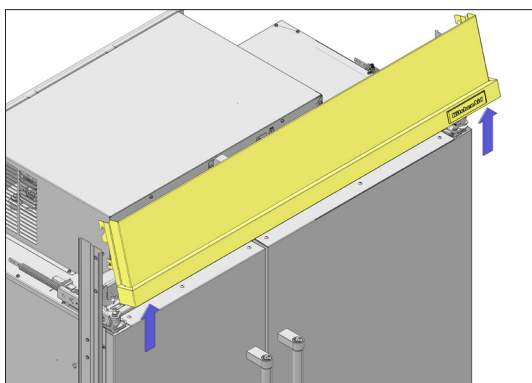
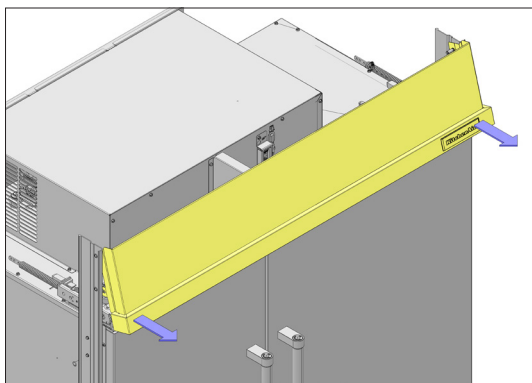


Electrical Shock Hazard

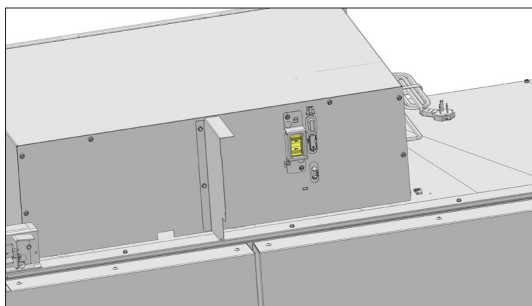
Disconnect power before servicing.
 Replace all parts and panels before operating.
 Failure to do so can result in death or electrical shock.

Removing the Front Decorative Cover

1. Grasp both ends of the front decorative cover.
2. Pull the front cover out first and then up to remove.

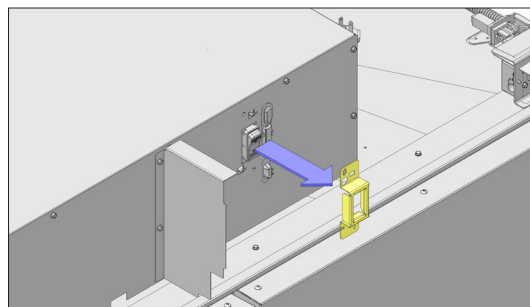
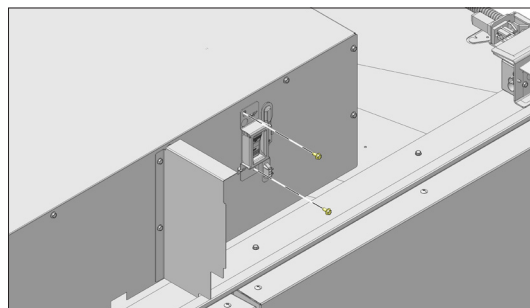


3. Unplug the refrigerator or use the ON/OFF power switch located behind the Decorative Cover to turn the refrigerator off.

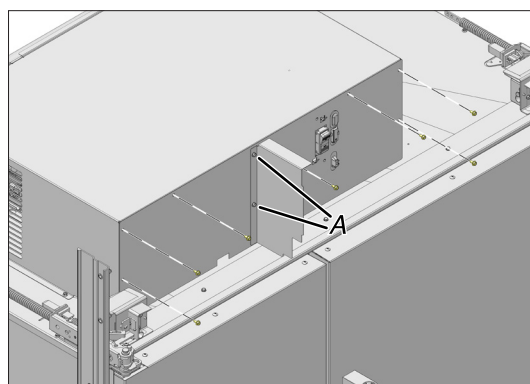


Removing the Front Access Panel

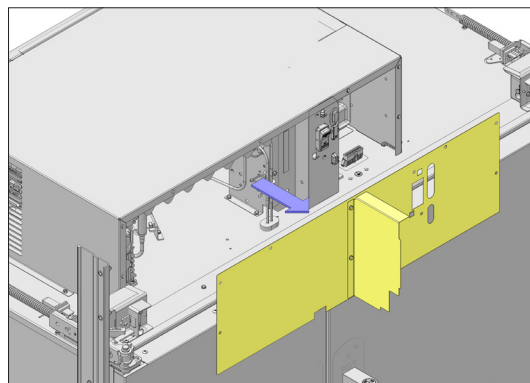
1. Remove two (2) 1/4" screws and remove the cover over the ON/OFF switch.



2. Remove seven (7) screws to remove the front access panel.
NOTE: Removing the two (2) center divider screws is not necessary.



A. Center Divider Screws



Removing the Unit Top Cover

1. Remove four (4) 1/4" screws from the right side and six (6) 1/4" screws from the left side.

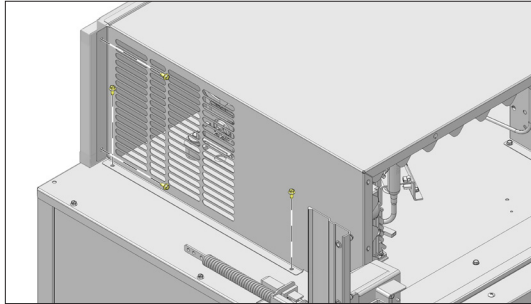


Figure - Unit Top Cover Left Side

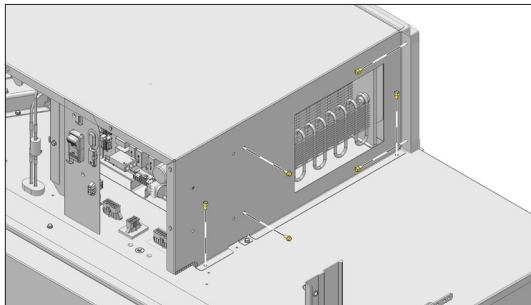
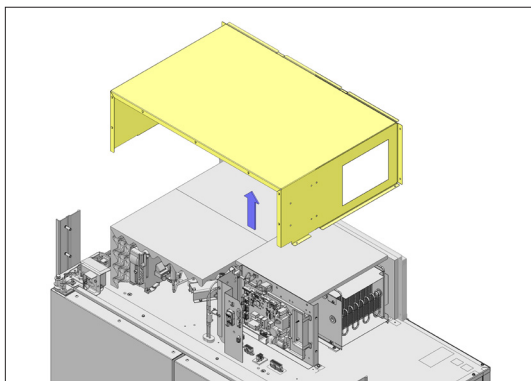


Figure - Unit Top Cover Right Side

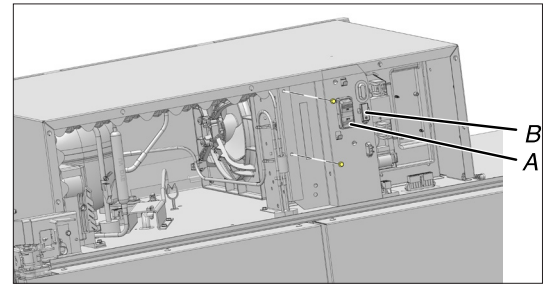
2. Lift the Unit Top Cover off.



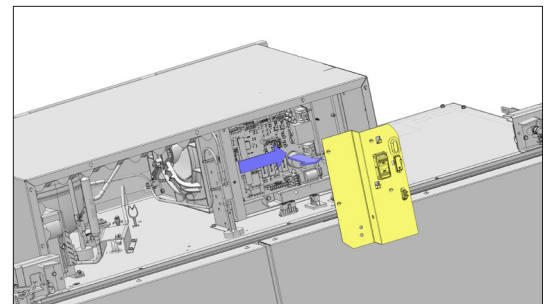
Removing the Control Board

1. Complete the steps [1-3](#) from section Removing the Front Decorative Cover.
2. Complete the steps [1-2](#) from section Removing the Front Access panel.

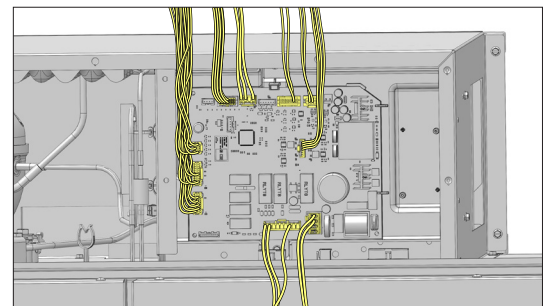
3. Remove two (2) 1/4" hex head screws from the power switch and humidity sensor mounting bracket, then remove the bracket.



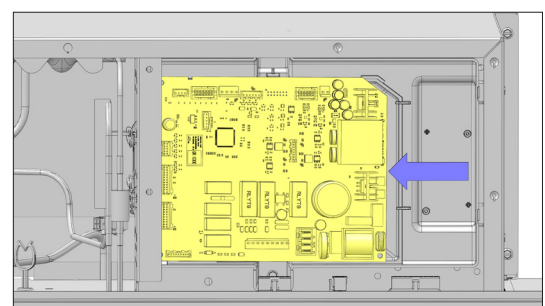
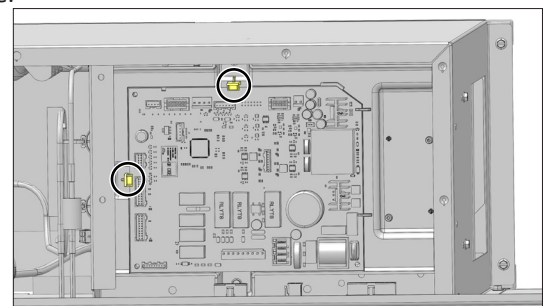
- A. ON/OFF Switch
- B. Humidity Sensor



4. Disconnect all the wires.

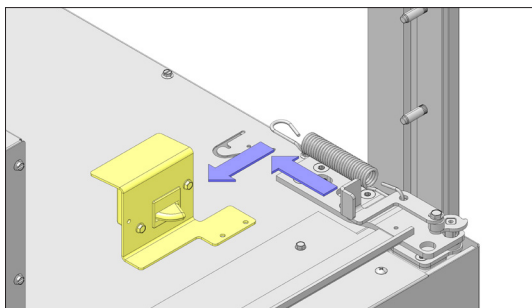
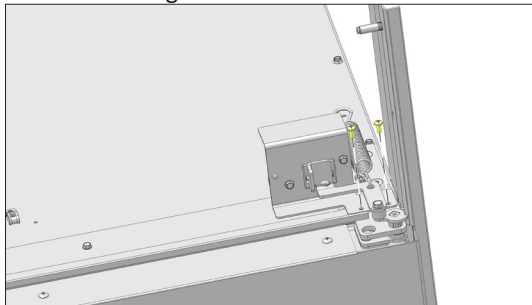


5. Push the release tabs on the left and top side of the board and slide board out of the mounting brackets on the right side.

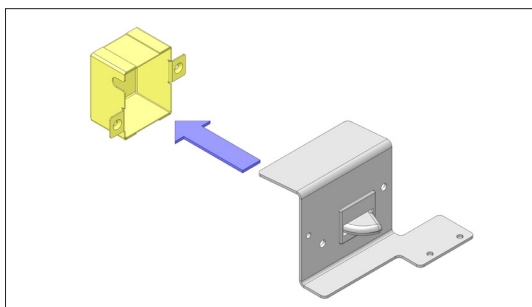
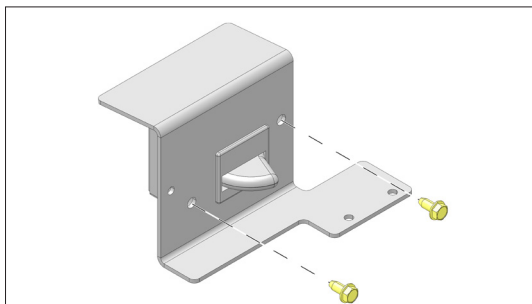


Removing the Light Switches

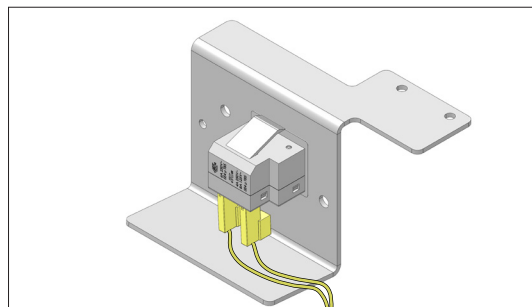
1. Complete the steps [1-3](#) from section Removing the Front Decorative Cover.
2. Light switches are located on the left and right hinge at the top of the doors.
3. Remove two (2) phillips head mounting screws and remove the switch mounting bracket.



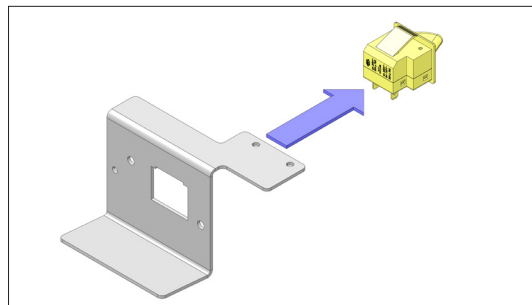
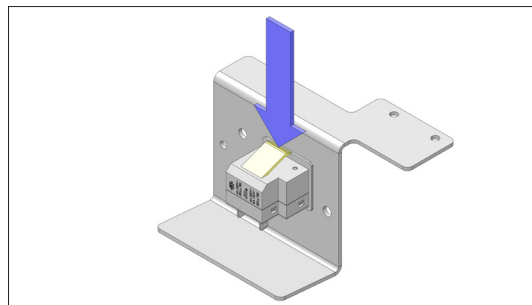
4. Remove two (2) 1/4" hex head screws from the front of the mounting bracket to release the switch cover.



5. Disconnect the two (2) or three (3) wires (depends on model).

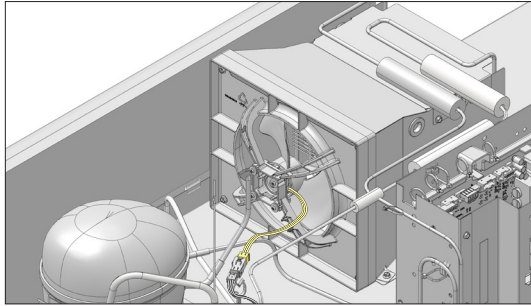


6. The switch is mounted in place by compression tabs, squeeze the tabs and push the switch out through the front of the bracket.

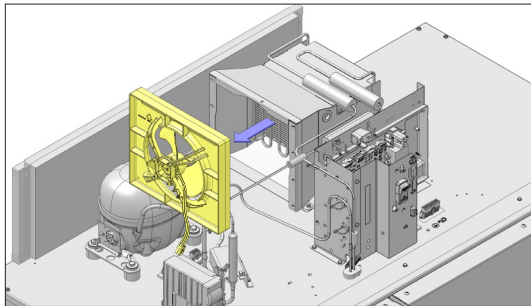
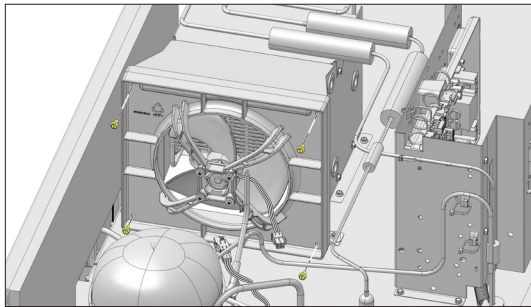


Removing the Condenser Fan Assembly

1. Complete the steps [1-3](#) from section Removing the Front Decorative Cover.
2. Complete the steps [1-2](#) from section Removing the Front Access panel.
3. Complete the steps [1-2](#) from section Removing the Unit Top Cover.
4. Locate the condenser fan assembly in the back of the compartment, to the right of the compressor.
5. Disconnect the wire harness located next to the fan assembly.

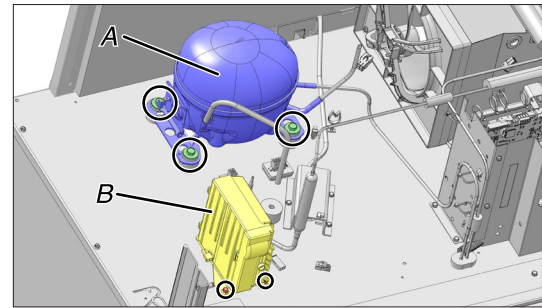


6. Remove four (4) 1/4" hex head screws to remove the condenser fan assembly.



Accessing the Compressor and Inverter

1. Complete the steps [1-3](#) from section Removing the Front Decorative Cover.
2. Complete the steps [1-2](#) from section Removing the Front Access panel.
3. Complete the steps [1-2](#) from section Removing the Unit Top Cover.
4. Locate the inverter in front of the compressor.
5. Compressor wire connections and electrical cover are located on the left of the compressor.
6. Four (4) 7/16" hex head bolts are used to mount the compressor.




A. Compressor
B. Inverter

7. The three (3) 1/4" hex head screws used to mount the inverter are located at the base of the inverter (Refer above figure).

Inside the Refrigerator Compartment (RC)

⚠ WARNING



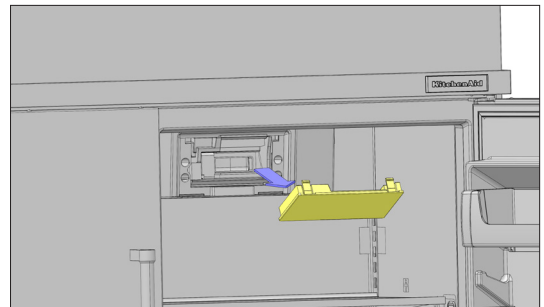
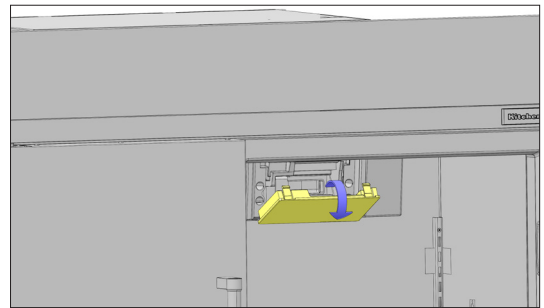
Electrical Shock Hazard
Disconnect power before servicing.
Replace all parts and panels before operating.
Failure to do so can result in death or electrical shock.

3. Disconnect the wire harness available on the right side.



Removing the RC Upper Air Diffuser Assembly

1. Remove the diffuser assembly cover by rotating from the tabs on top and then pulling them out.

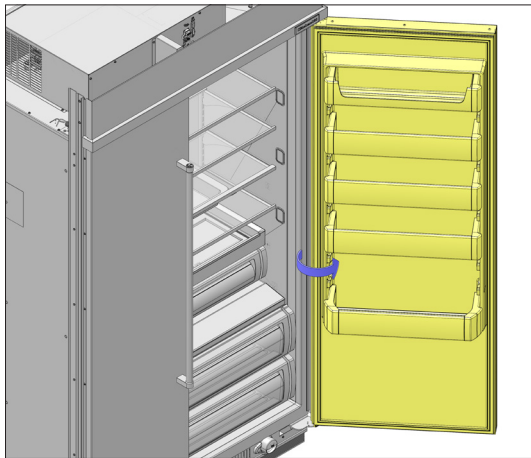


Removing the Front Decorative Cover

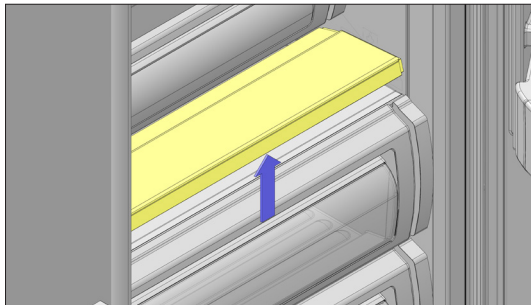
1. Complete the steps [1-3](#) from section Removing the Front Decorative Cover.

Removing the User Interface Board (Non-dispensing Units Only)

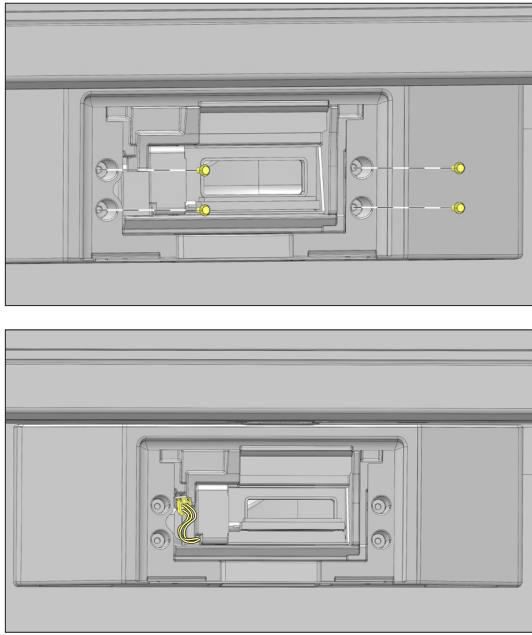
1. On a Non-dispensing unit, the User Interface or UI is mounted inside the refrigerator compartment. Open the refrigerator door and locate the UI in the center of the refrigerator compartment.



2. To remove UI, lift from the front, then lift off the rear tabs.

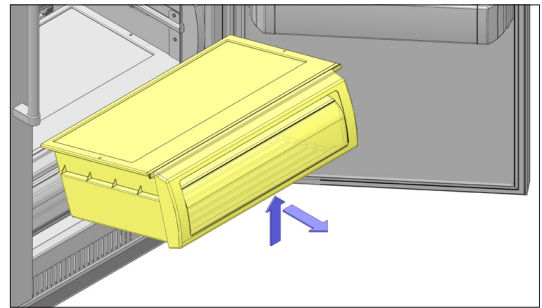
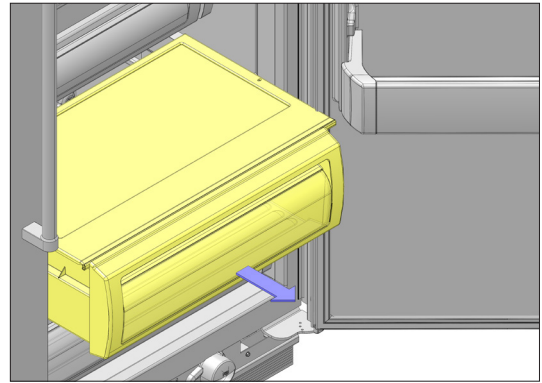


- Remove the four (4) 1/4" hex head screws and disconnect the wire harness to remove the assembly.



Removing the RC Lower Air Diffuser and Thermistor Assembly

- Remove drawer to locate the air diffuser assembly.



- Remove the gasket and foam to remove the air baffle.

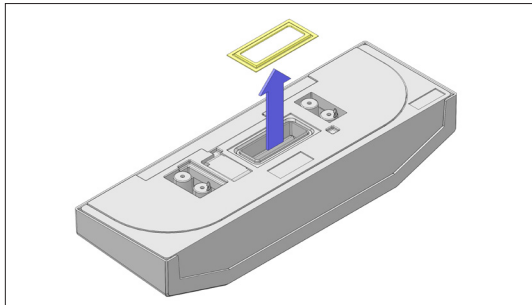


Figure - Removing the Gasket

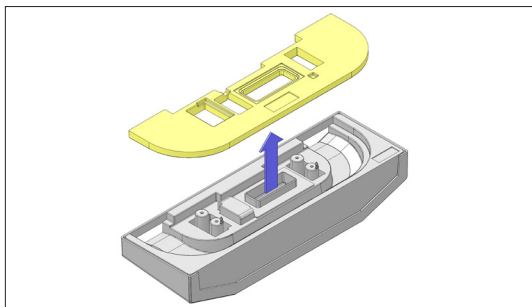


Figure - Removing the Foam

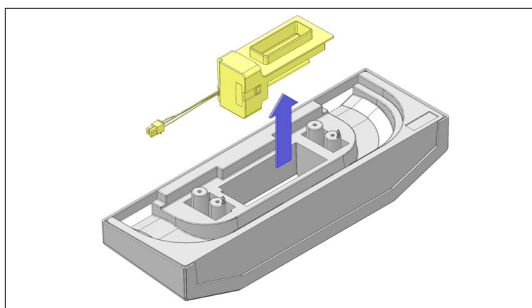
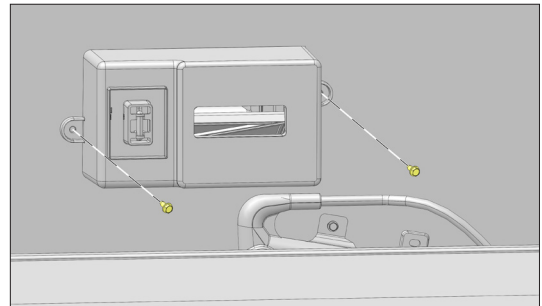
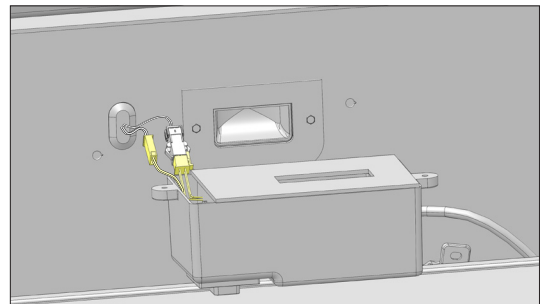


Figure - Removing the Air Baffle

- Remove two (2) 1/4" hex head screws.

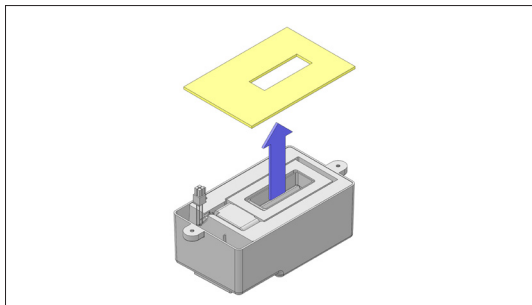


- Disconnect both wire harness connections to remove the assembly.



COMPONENT ACCESS (CONT.)

4. Gently remove the gasket as you will re-use it.



5. Remove the Air Baffle and foam.

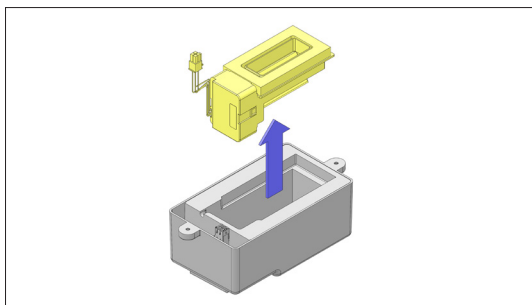


Figure - Removing the Air Baffle

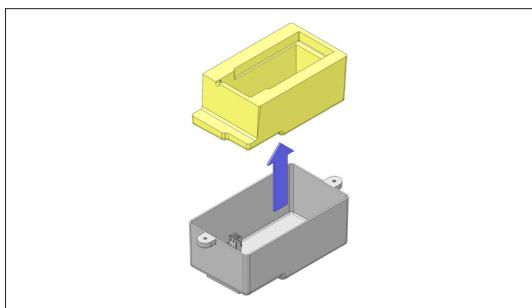
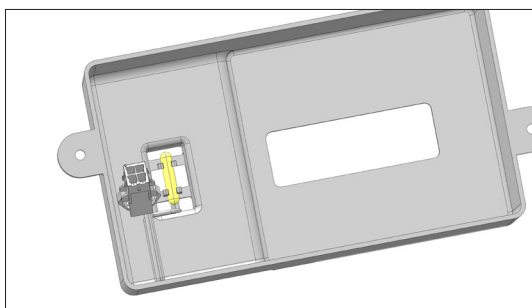


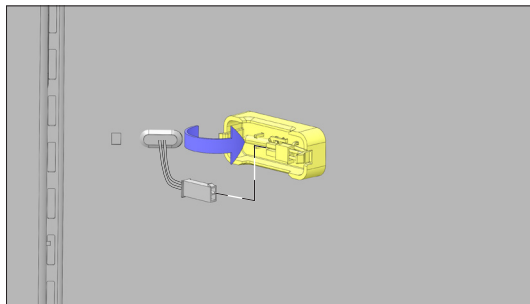
Figure - Removing the Foam

6. Locate the Thermistor mounted inside the cover.

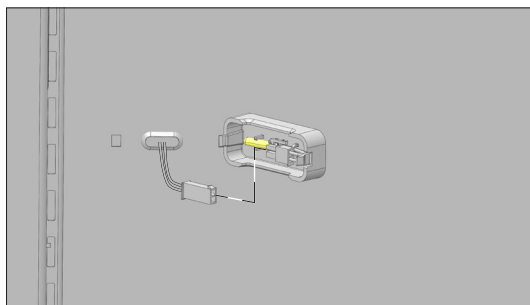


Removing the RC Thermistor

1. Locate the Thermistor cover on the left side of the back wall.
2. Pull on cover from the left side to remove.

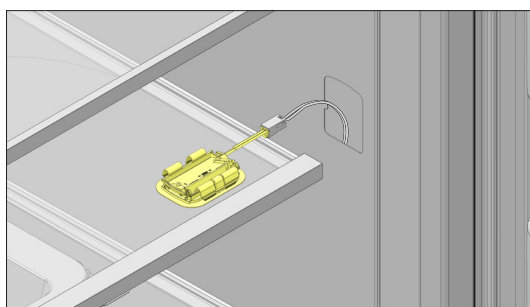
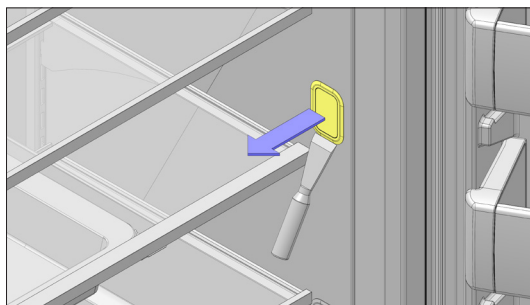


3. Thermistor is located inside cover.



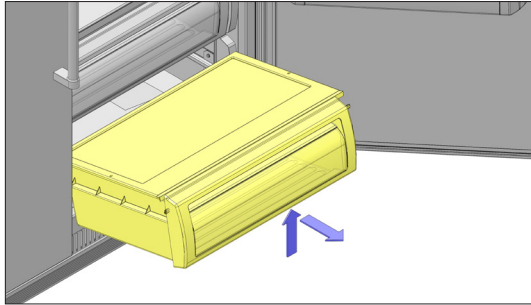
Removing the LED Modules

1. LED Modules are located along the walls of both the RC and FC.
2. To remove LED modules from the cabinet walls, protect the liner while using a putty knife to pry them out.

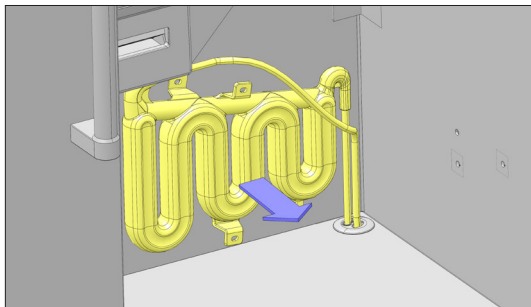
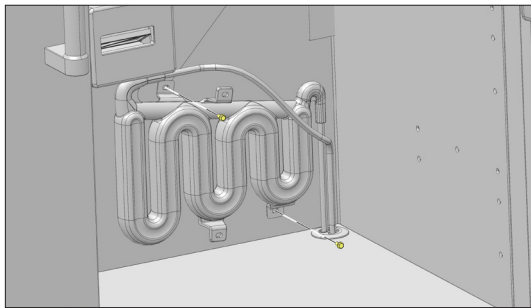


Removing the Water Reservoir (Dispensing Units Only)

1. The water reservoir is located under the lower diffuser and thermistor assembly. The lower drawers will need to be removed.



2. Remove two (2) 1/4" hex head screws holding the reservoir in place.



Inside the Freezer Compartment (FC)

⚠ WARNING



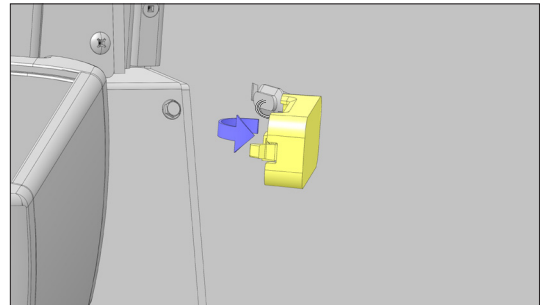
Electrical Shock Hazard
Disconnect power before servicing.
Replace all parts and panels before operating.
Failure to do so can result in death or electrical shock.

Removing the Front Decorative Cover

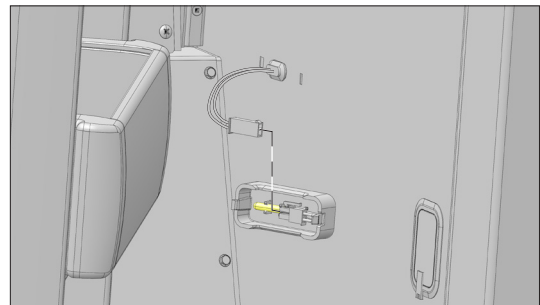
1. Complete the steps [1-3](#) from section Removing the Front Decorative Cover.

Removing the FC Thermistor

1. Locate the FC Thermistor along the center wall.
2. Pull on the cover from the back to remove.

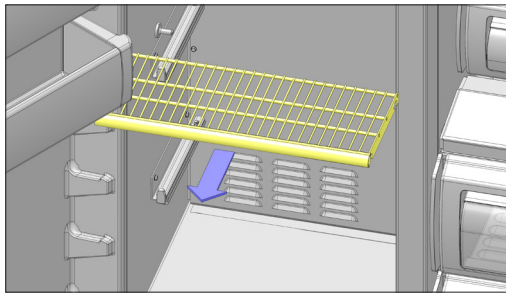
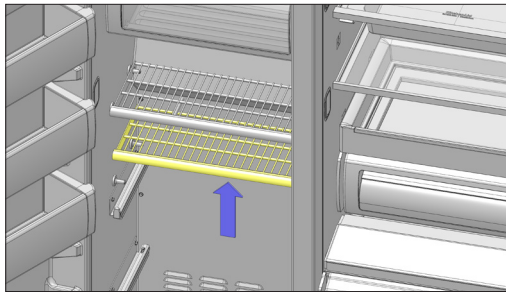
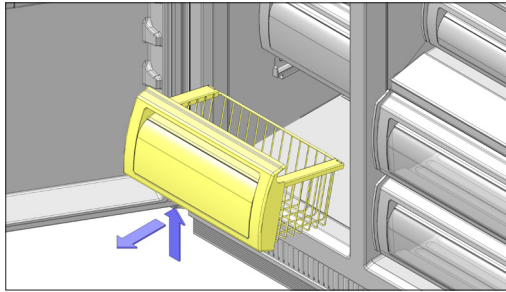
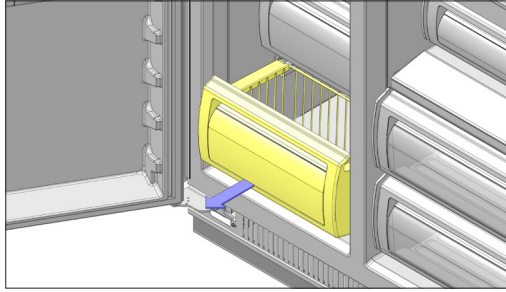


3. Thermistor is located inside the cover.



Removing the Evaporator Cover

1. Remove all drawers and shelves below the ice maker.



2. Remove four (4) sliders and eight (8) shelf studs.

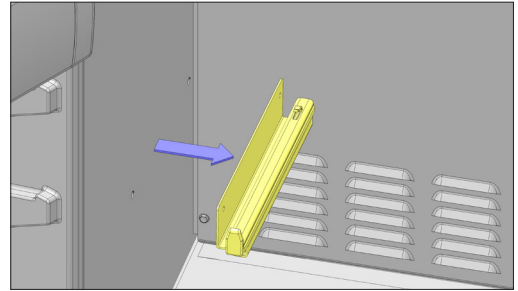
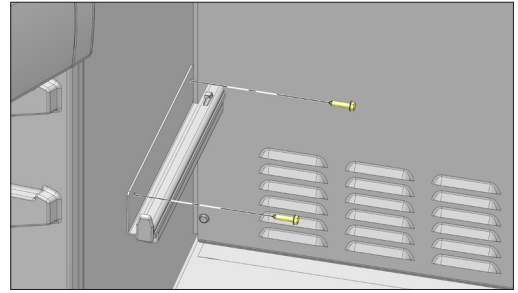


Figure - Removing the Sliders

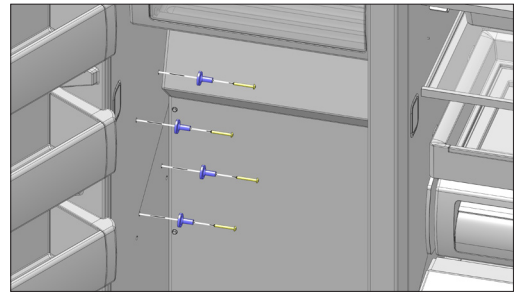
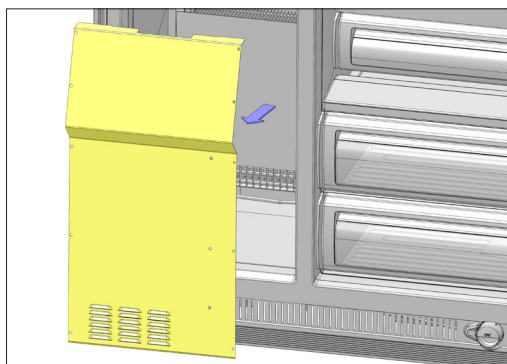
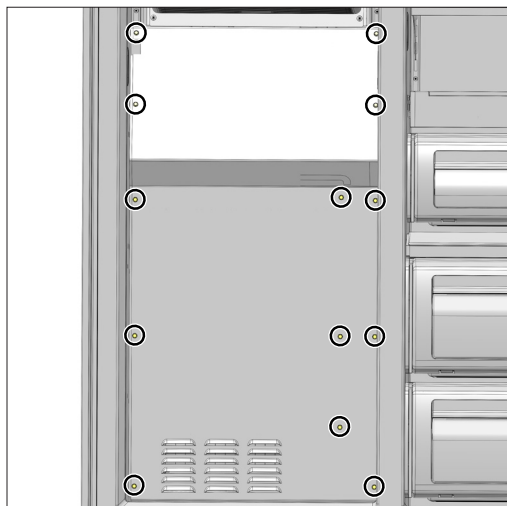
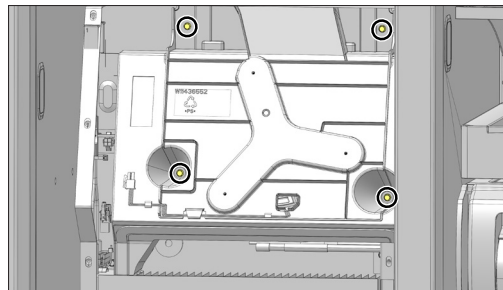


Figure - Removing the Shelf Studs

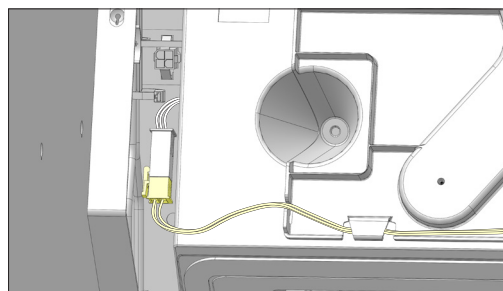
3. Remove thirteen (13) 1/4" hex head screws and remove cover.



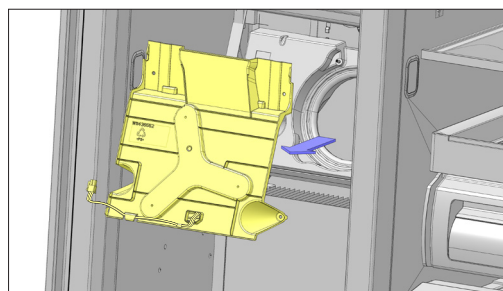
3. Remove four (4) 1/4" hex head screws.



4. Disconnect the wire harness.

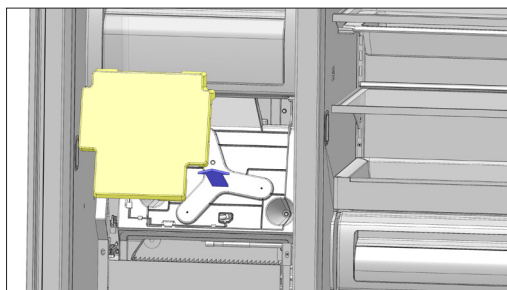
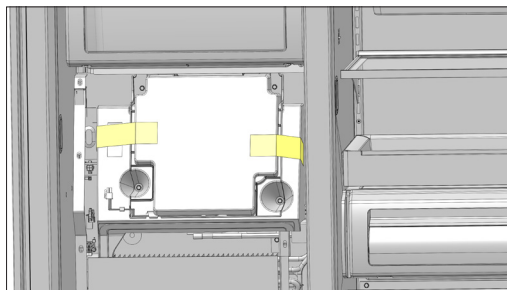


5. Lift the fan assembly from the bottom and pull out.

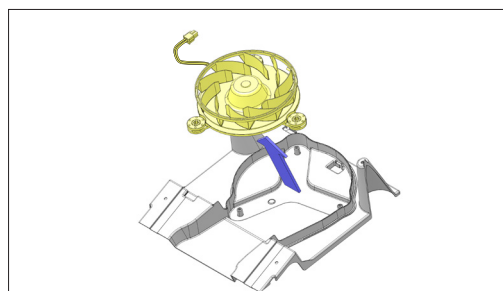
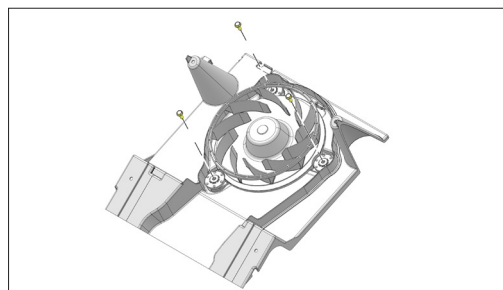


Removing the Evaporator Fan

1. Complete the steps [1-3](#) from section Removing the Evaporator Cover.
2. Remove the tape and piece of foam over the fan assembly.



6. Remove three (3) 1/4" hex head screws to release evaporator fan from the housing.

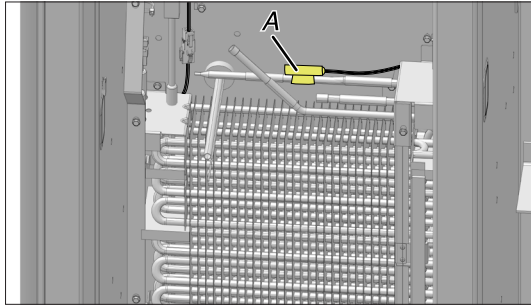


COMPONENT ACCESS (CONT.)

Removing the Evaporator Thermistor

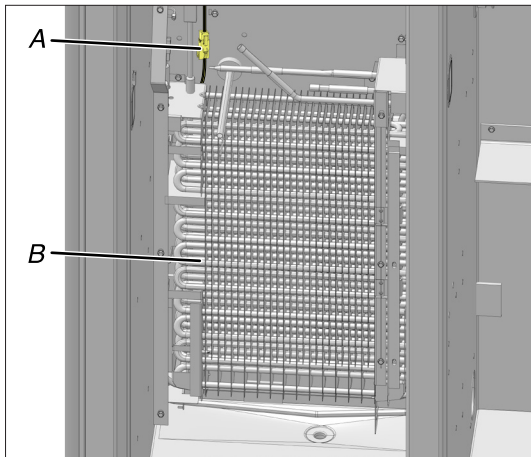
1. Complete the steps [1-3](#) from section Removing the Evaporator Cover.
2. Complete the steps [1-6](#) from section Removing the Evaporator Fan.
3. The thermistor is mounted on the left side of the evaporator on the outlet line. Positioning is critical so when replacing the thermistor, mount in the same position.

NOTE: Servicing this thermistor will require a thermistor kit which has components available to splice into the existing thermistor harness.



Access to Evaporator

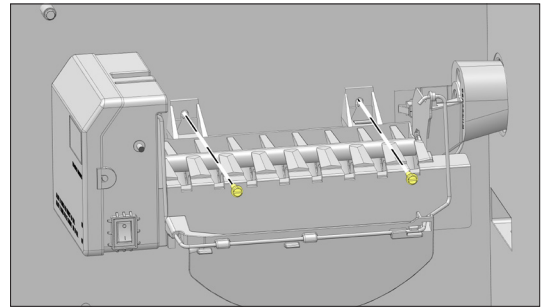
1. Complete the steps [1-3](#) from section Removing the Evaporator Cover.
2. Complete the steps [1-6](#) from section Removing the Evaporator Fan.
3. Now evaporator can be accessed.



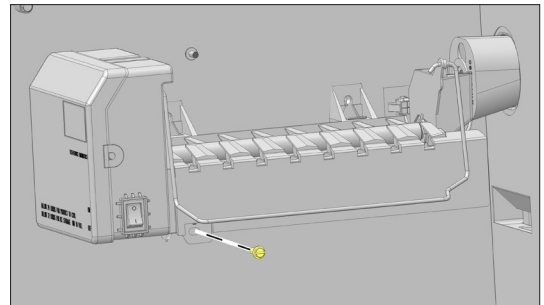
- A. Defrost Heater Wire Connections
- B. Evaporator and Heater Assembly

Removing the Ice Maker Assembly (Non-dispensing Units Only)

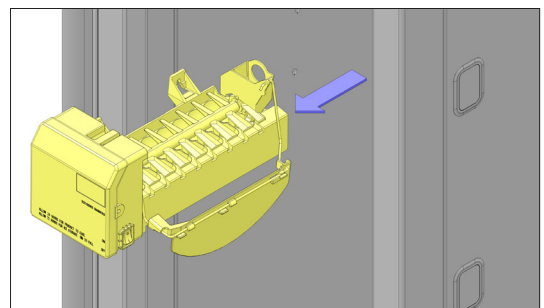
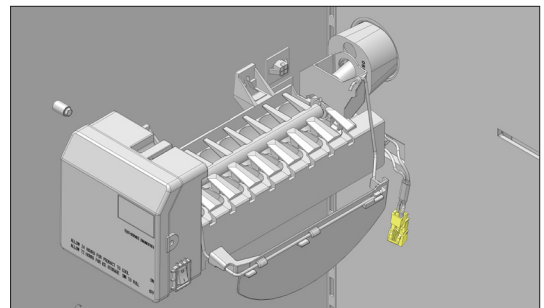
1. Loosen two (2) 1/4" hex head screws on top of the ice maker.



2. Remove one (1) 1/4" hex head screw from the ice maker mounting bracket.

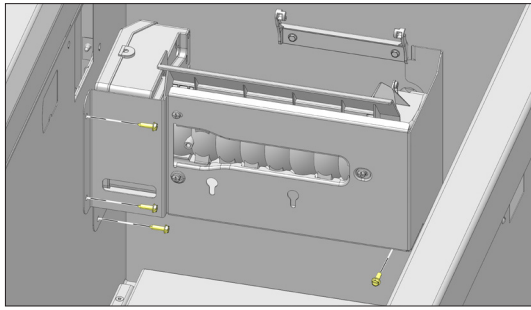


3. Disconnect the electrical connector and then remove the Ice Maker.

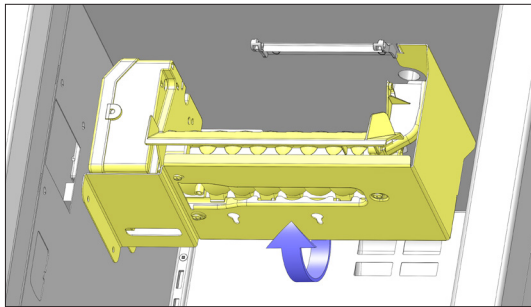


Removing the Ice Maker Assembly (Dispensing Units Only)

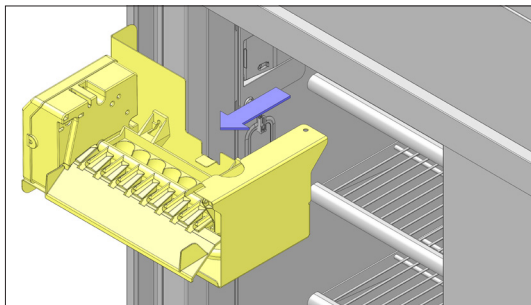
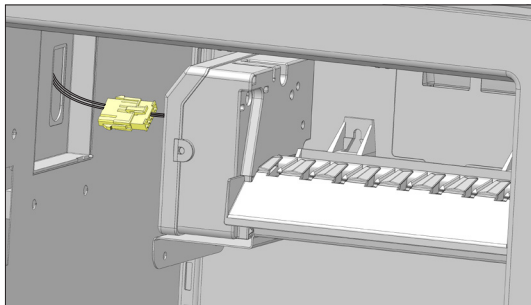
1. Remove four (4) 1/4" hex head screws on bracket. Three (3) are on the side wall and one (1) on ceiling wall.



2. Rotate Ice maker bottom towards the front of the refrigerator to get metal bracket out of the ceiling.

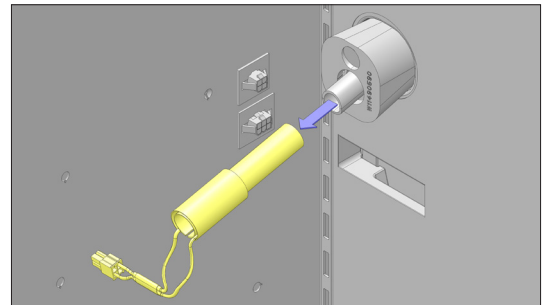
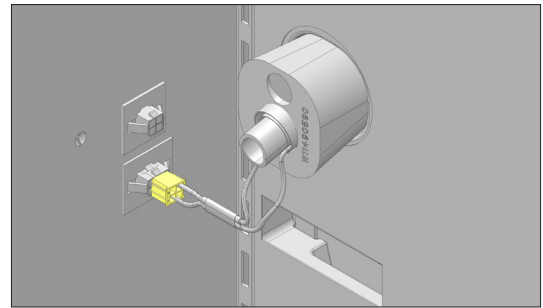


3. Disconnect the electrical connector and then remove the ice maker.



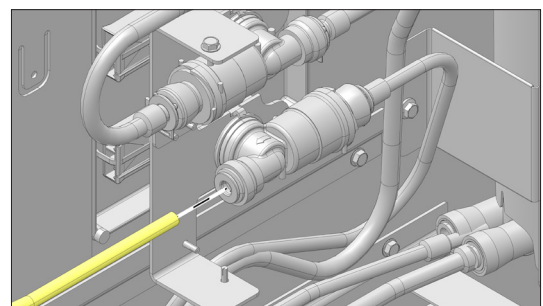
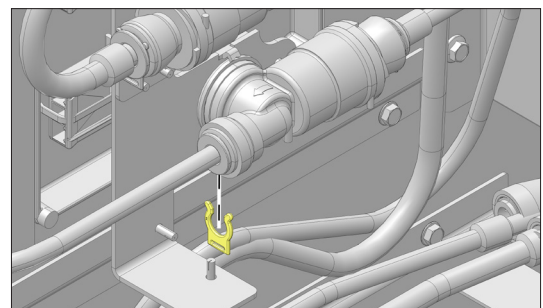
Removing the Fill Tube Heater (Non-dispensing Units Only)

1. Complete the steps [1-4](#) from section Removing the Ice Maker Assembly (Non-dispensing Units Only).
2. Disconnect the electrical connector and then remove the heater.



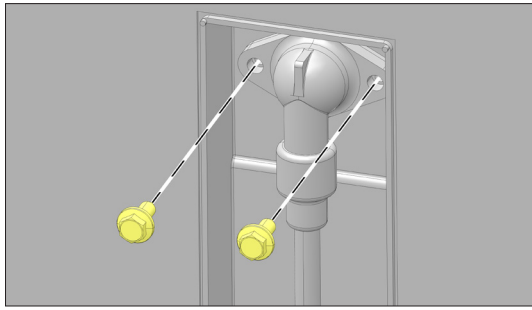
Removing the Fill Tube (Non-dispensing Units Only)

1. Complete the steps [1-4](#) from section Removing the Ice Maker Assembly (Non-dispensing Units Only).
2. Complete the steps 1-3 from section Removing the Fill Tube Heater (Non-dispensing Units Only).
3. Complete the steps [1-3](#) from section Accessing the Ice Maker Water Inlet and Isolation Valves.
4. Remove the water line from the ice maker water inlet valve by removing the lock ring from the John Guest fitting first.

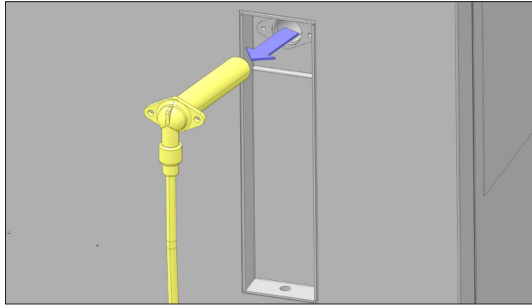


COMPONENT ACCESS (CONT.)

5. Locate the fill tube from behind the refrigerator and remove two (2) 1/4" hex head screws.

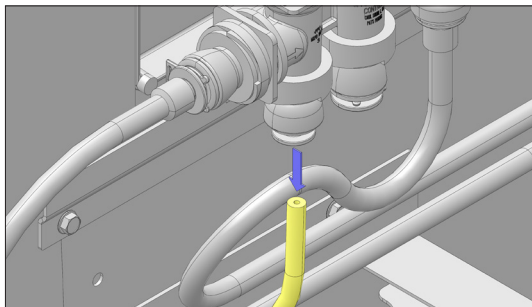
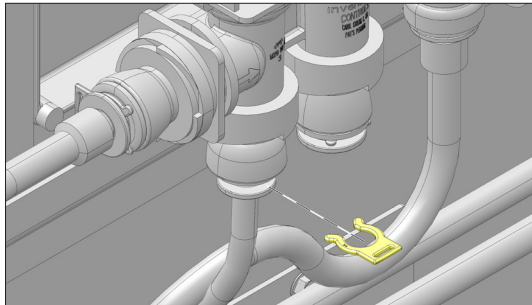


6. Pull fill tube and water line out of refrigerator.

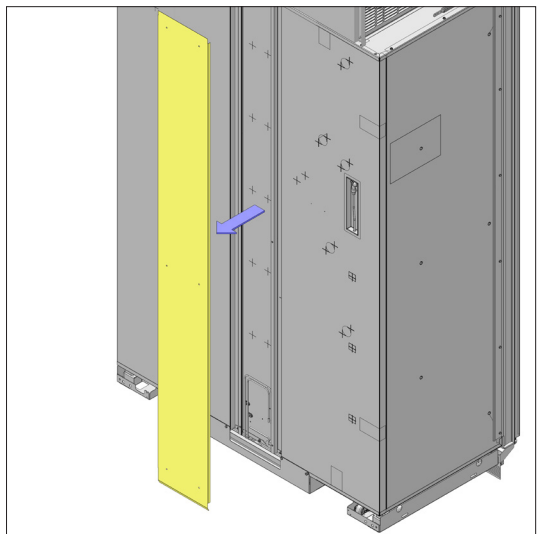
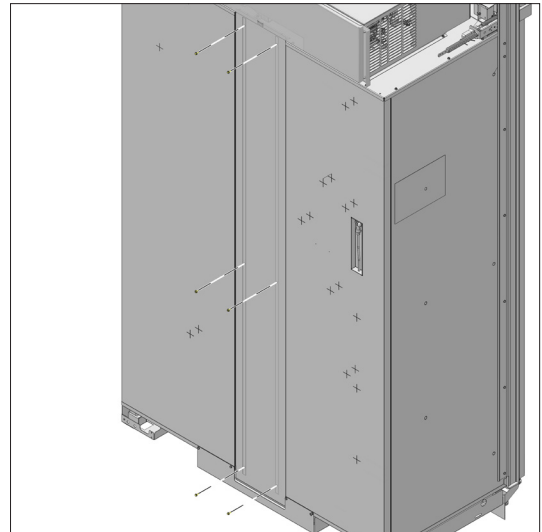


Removing the Fill Tube (Dispensing Units Only)

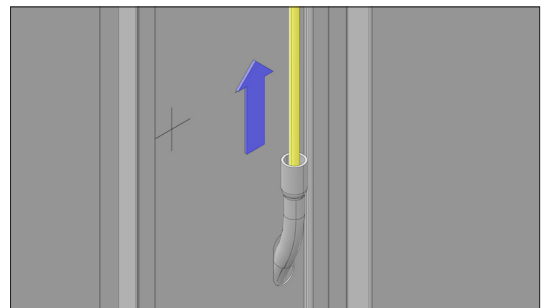
1. Complete the steps [1-4](#) from section Removing the Ice Maker Assembly (Dispensing Units Only).
2. Complete the steps [1-3](#) from section Accessing the Ice Maker Water Inlet and Isolation Valves.
3. Remove the water line from the ice maker water inlet valve by removing the lock ring from the John Guest fitting first.



4. Remove center back panel by removing six (6) 1/4" hex head screws.

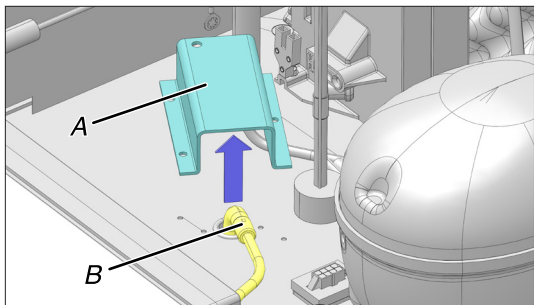
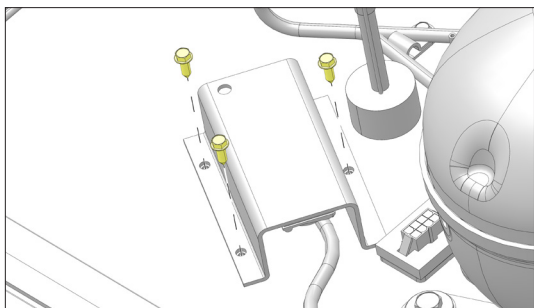


5. Pull water line out of conduit.



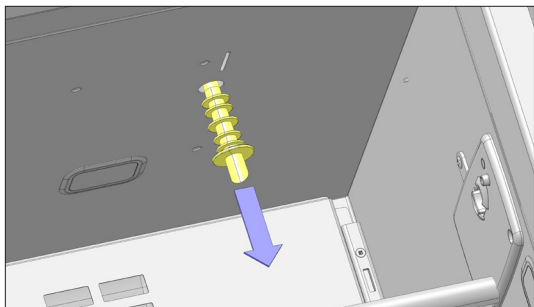
6. Complete the steps [1-3](#) from section Removing the Front Decorative Cover.
7. Complete the steps [1-2](#) from section Removing the Front Access panel.
8. Complete the steps [1-2](#) from section Removing the Unit Top Cover.

9. Locate cover over fill tube in front of compressor and remove three (3) 1/4" hex head screws and then remove the cover.



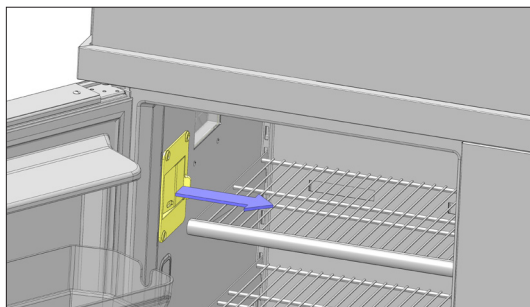
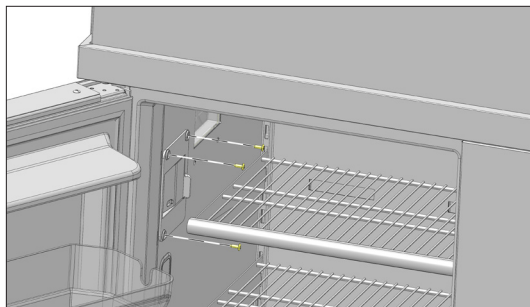
A. Cover
B. Fill Tube

10. Inside the FC, pull on fill tube to remove fill tube and water line.

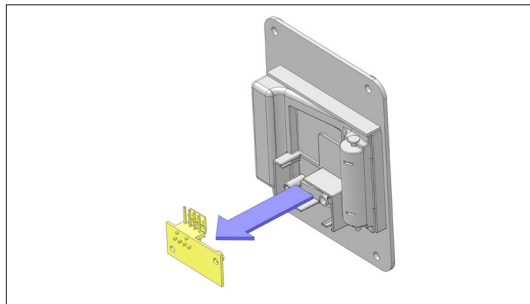
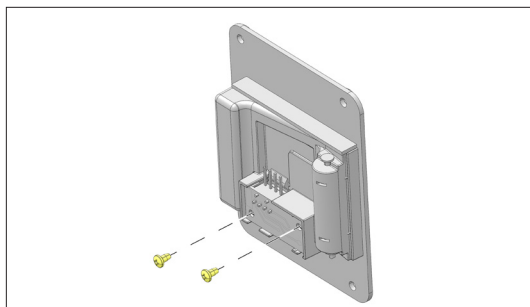
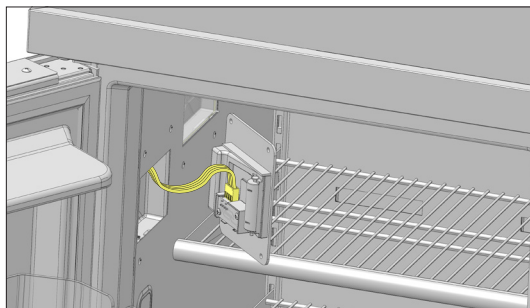


Removing the Emitter Cover and Circuit Board (Dispensing Units Only)

1. Locate the Emitter on the outer wall and remove three (3) phillips head screws to remove cover and board.



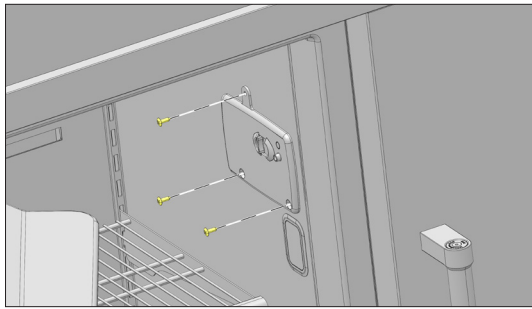
2. After disconnecting wire harness, remove two (2) phillips head screws to remove the emitter circuit board.



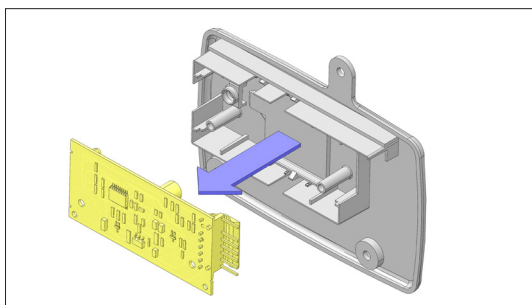
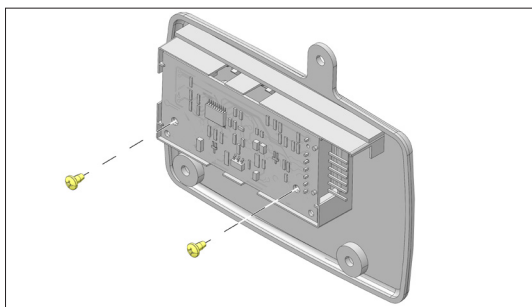
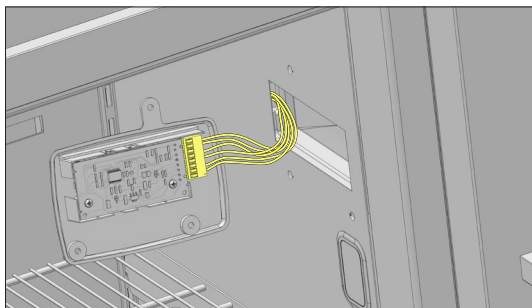
COMPONENT ACCESS (CONT.)

Removing the Receiver Cover and Circuit Board (Dispensing Units Only)

1. Locate the Receiver on the inner wall and remove three (3) phillips head screws to remove cover and board.



2. After disconnecting wire harness, remove two (2) phillips head screws to remove the emitter circuit board.



FC Door (Dispensing Units Only)

WARNING



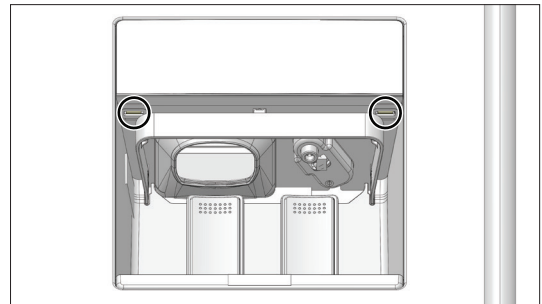
Electrical Shock Hazard
Disconnect power before servicing.
Replace all parts and panels before operating.
Failure to do so can result in death or electrical shock.

Removing the Front Decorative Cover

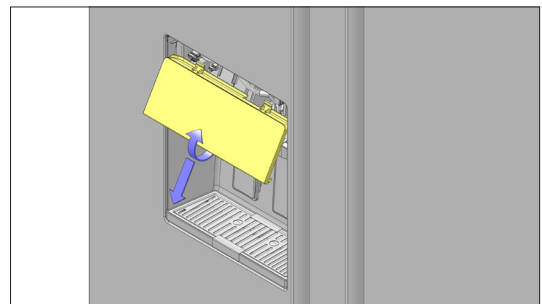
1. Complete the steps [1-3](#) from section Removing the Front Decorative Cover.

Removing the User Interface

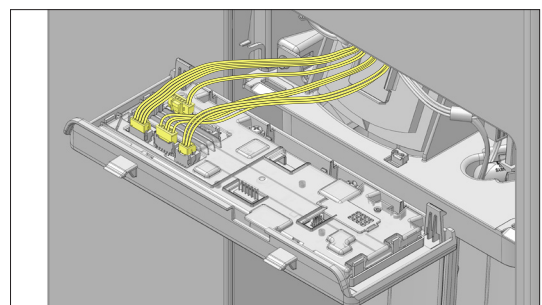
1. Release two (2) locking tabs securing the user interface or UI to the dispenser housing.



2. Drop down the UI.

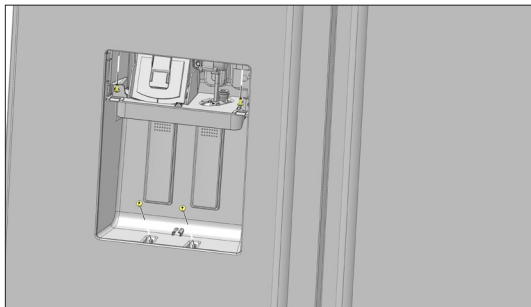
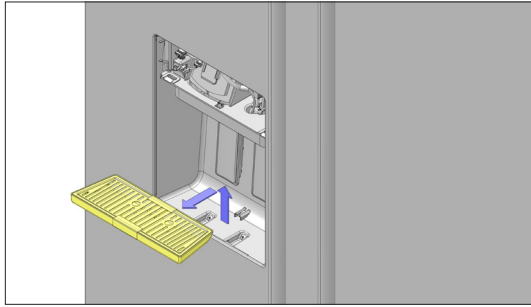


3. Remove wire harness connections to remove UI.



Removing the Dispenser Pad Assembly

1. Complete the steps [1-3](#) from section Removing the User Interface.
2. Remove drip tray and then remove four (4) screws holding dispenser housing.



3. Remove door skin by removing three (3) phillips screws on top, six (6) phillips screws on the side and two (2) phillips screws on the bottom.

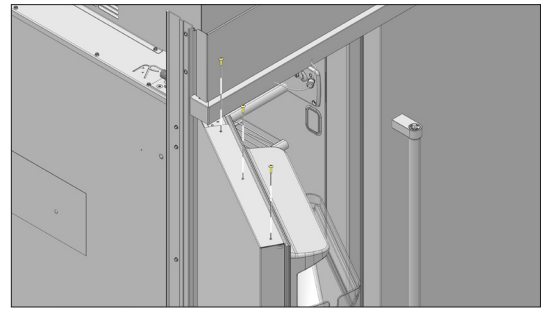


Figure - Removing the Top Screws

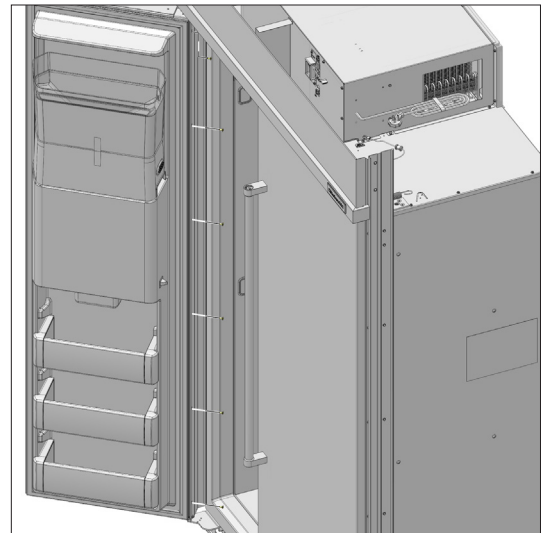


Figure - Removing the Side Screws

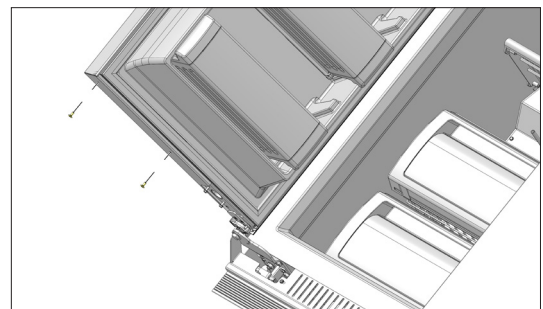
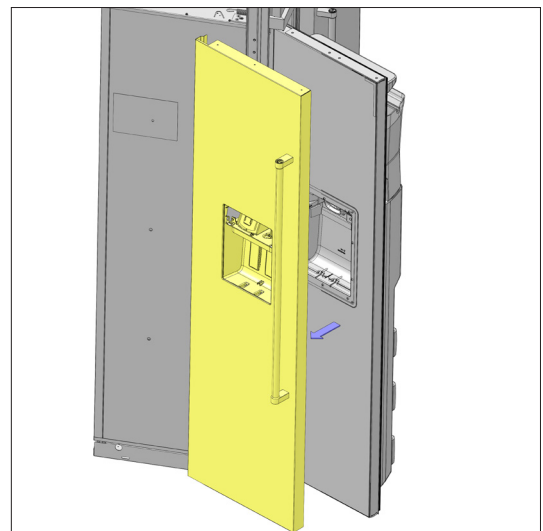


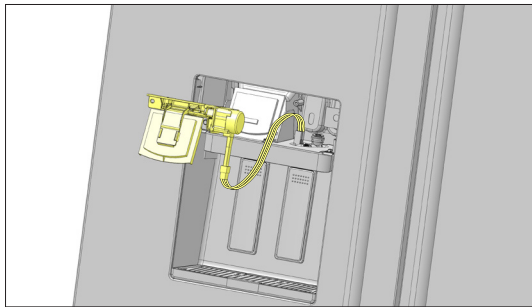
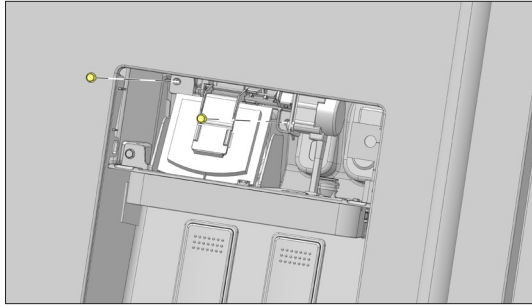
Figure 3. Removing the Bottom Screws



COMPONENT ACCESS (CONT.)

Removing the Ice Door Motor Assembly

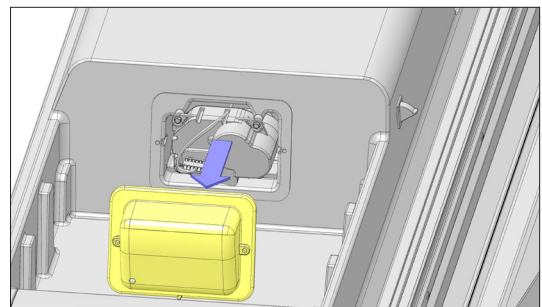
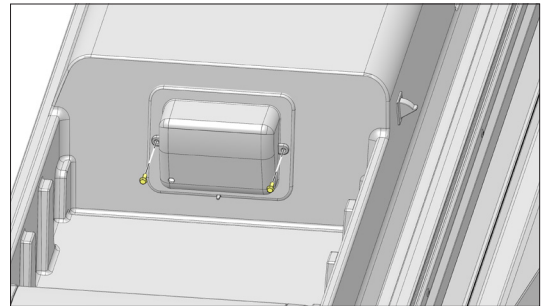
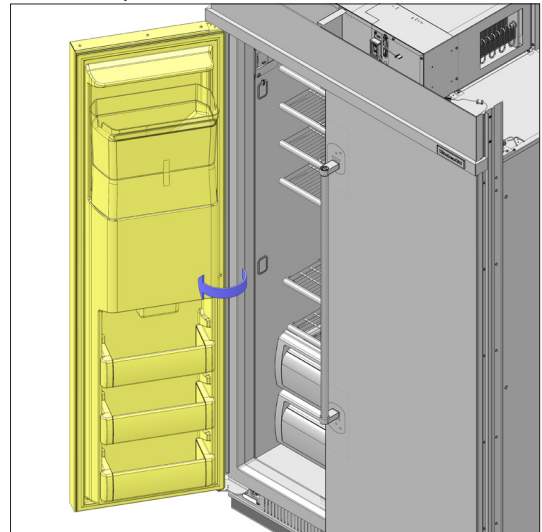
1. Complete the steps [1-3](#) from section Removing the User Interface.
2. Remove two (2) 1/4" hex head screws to remove the ice door motor assembly.



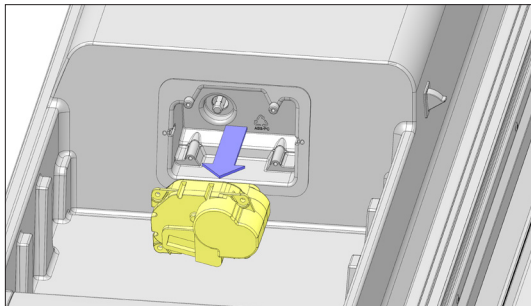
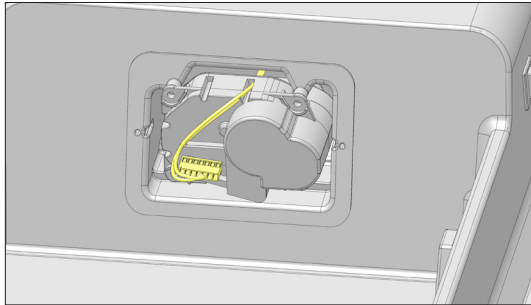
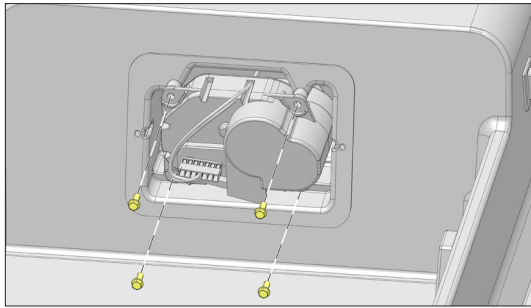
NOTE: Disconnect the wire harness before removing the ice door motor assembly.

Removing the Ice Auger Motor

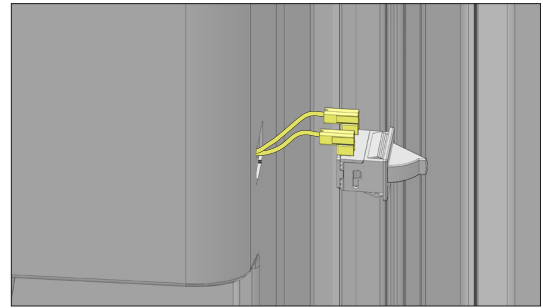
1. Inside of the door, remove two (2) 1/4" hex head screws to remove the dispenser motor cover.



- Remove four (4) 1/4" hex head screws and remove wiring harness to remove the dispenser motor.



- The harness connectors will catch on the back side of the liner if pulled straight out.



Under the Refrigerator

⚠ WARNING



Electrical Shock Hazard

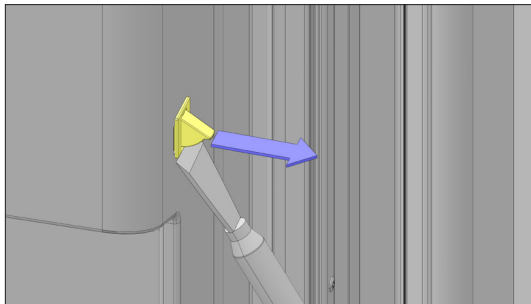
Disconnect power before servicing.

Replace all parts and panels before operating.

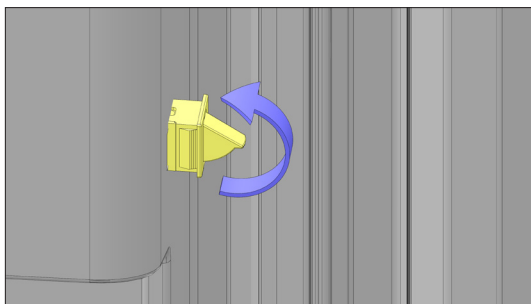
Failure to do so can result in death or electrical shock.

Removing the Auger Motor Switch

- To remove switch from door wall, protect the door surface while using a putty knife to push up the retaining tab from the bottom.



- When removing the switch, rotate from the bottom up.



Accessing the Ice Maker Water Inlet and Isolation Valves

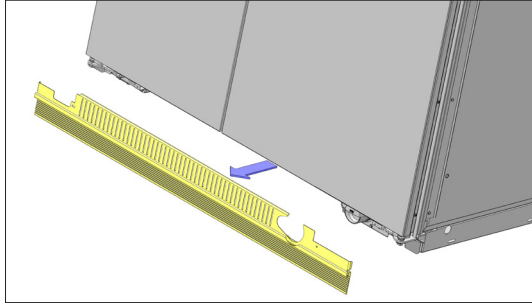
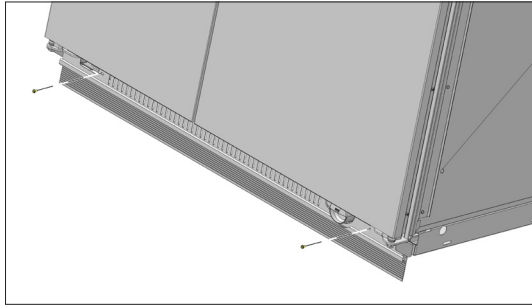
Beneath the refrigerator behind the front grill are the water inlet valves. There are two (2) possibly three (3) valves located together in a mounting bracket.

An isolation water valve receives incoming water and pushes the water to the water filter. Water from the water filter returns to the ice maker water inlet valve and if available a 3rd water valve that provides water to the water dispenser.

- Complete the steps [1-3](#) from section Removing the Front Decorative Cover.

COMPONENT ACCESS (CONT.)

2. Remove two (2) screws to remove the front grill.



3. Remove two (2) 1/4" hex head mounting screws from the front of the water valve housing, then collect the water valve housing.

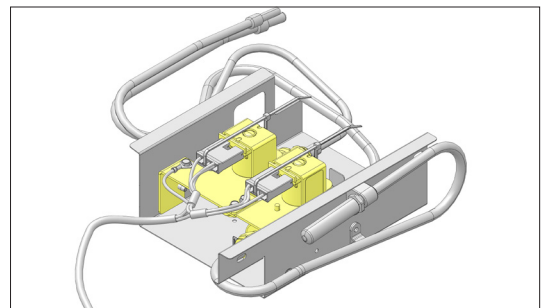
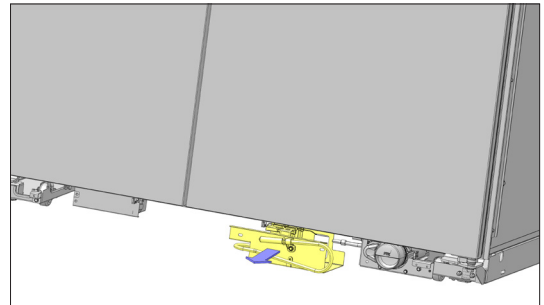
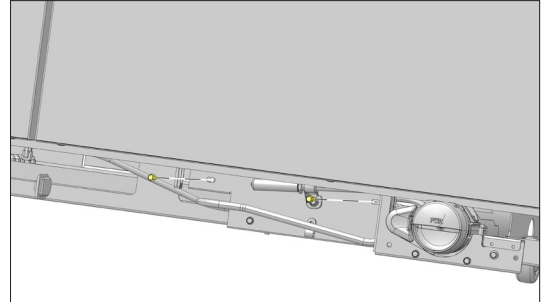


Figure - Water inlet valves with John Guest Fittings (Non-dispensing unit)

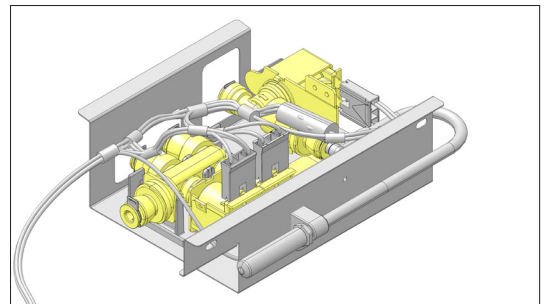


Figure - Water inlet valves with John Guest Fittings (Dispensing unit)

Back of the Refrigerator

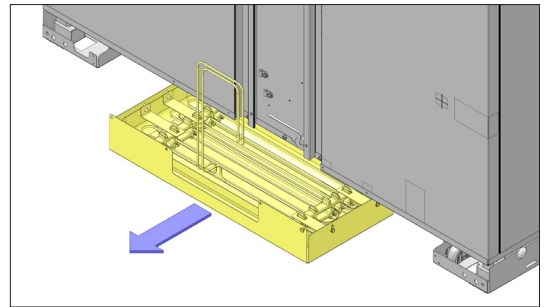
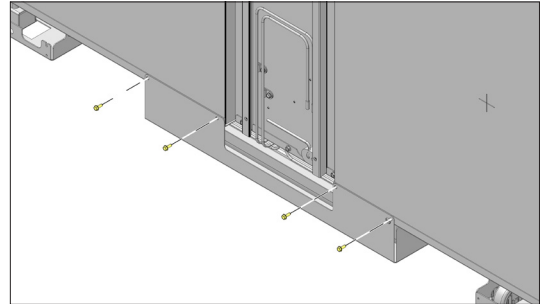
⚠ WARNING



Electrical Shock Hazard

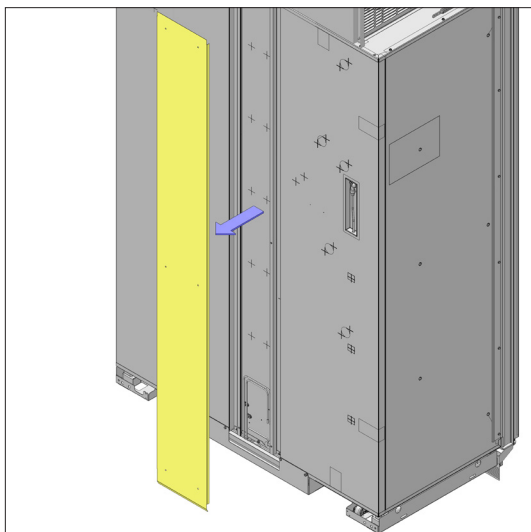
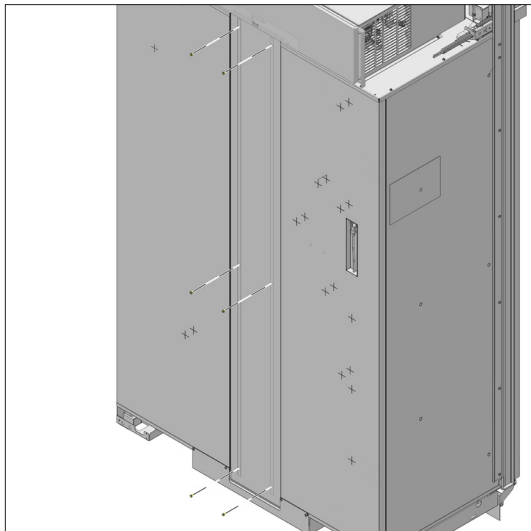
Disconnect power before servicing.
Replace all parts and panels before operating.
Failure to do so can result in death or electrical shock.

3. Remove four (4) 1/4" hex head screws to lower drain pan.



Access to Drain Pan Assembly

1. Complete the steps [1-3](#) from section Removing the Front Decorative Cover.
2. Remove center back panel by removing six (6) 1/4" hex head screws.



Notes

PRODUCT SPECIFICATIONS & WARRANTY INFORMATION SOURCES

IN THE UNITED STATES:

FOR PRODUCT SPECIFICATIONS AND WARRANTY INFORMATION CALL:

FOR WHIRLPOOL PRODUCTS: 1-800-253-1301

FOR TECHNICAL ASSISTANCE WHILE AT THE CUSTOMER'S HOME CALL:

THE TECHNICAL ASSISTANCE LINE: 1-800-832-7174

**HAVE YOUR STORE NUMBER READY TO IDENTIFY YOU AS AN
AUTHORIZED IN-HOME SERVICE PROFESSIONAL**

FOR LITERATURE ORDERS (CUSTOMER EXPERIENCE CENTER):

PHONE: 1-800-851-4605

FOR TECHNICAL INFORMATION AND SERVICE POINTERS:

www.servicematters.com

IN CANADA:

FOR PRODUCT SPECIFICATIONS AND WARRANTY INFORMATION CALL:

1-800-461-5681

FOR TECHNICAL ASSISTANCE WHILE AT THE CUSTOMER'S HOME CALL:

THE TECHNICAL ASSISTANCE LINE: 1-800-488-4791

**HAVE YOUR STORE NUMBER READY TO IDENTIFY YOU AS AN
AUTHORIZED IN-HOME SERVICE PROFESSIONAL**

**JennAir® and KitchenAid®
36", 42", and 48" Built-In
Side by Side Refrigerators**

W11636548 Rev A