



# 4.8 cu. ft. Undercounter Beverage Center

KUBR204E



Stainless Steel  
KUBR204ESB

Capacity	
Total Capacity	4.8 cu. ft
General Features & Properties	
Auto-Light Interior LED Lighting	
Touch Controls	
SatinGlide® Wood-Front Racks	
Glass Shelves	
Built-In or Freestanding Installation	
Over-Temp Alarm	
Door Alarm	
Electrical Details	
Amps	15 or 20
Volts	115

Technical Details	
Refrigerator Type	Undercounter
Number of Shelves	2 Fixed
Number of Racks	2
Lighting Type	LED
Control Location	Interior Up Front
Installation Option	Freestanding or Built-In
Dimensions	
Product Dimensions (H x W x D)	34-1/2" x 23-3/4" x 26-3/4"
Depth with Door Open 90°	47-3/4"
Cutout Dimensions (H x W)	34-1/2" x 24"
Reference Material	

### Also available in:

Panel-Ready with Glass Door **KUBR204EPA**

[Dimension Guide](#)

[Use & Care Guide](#)

[Warranty](#)

## Key Features & Benefits

### Two Temperature-Controlled Zones

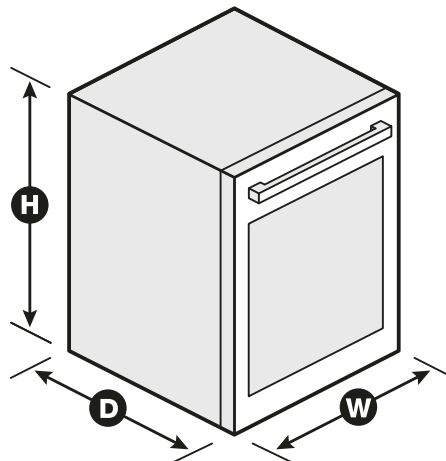
Allows for two independent temperature zones to chill beverages, hors d'oeuvres and wine bottles in their optimal climate.

### 4.8 cu. ft. Capacity with 14 Wine Bottle Capacity

The perfect place to store, chill and display up to 14 bottles of wine or any other item you want to keep cold.

### UV-Protected Thermal Glass Door

Filters UV rays to help protect wine and other beverages from premature aging.



NOTE: Dimensions are for planning purposes only. For complete details, see Installation Instructions packed with product. Specifications subject to change without notice.

®/™ © 2020. All rights reserved. Printed in the U.S.A. D200052XXC. KUBR204ESPECSHEETV01.