



# UNDER COUNTER WINE CELLAR

## Use and Care Guide and Installation Instruction

For questions about features, operation/performance, parts, accessories, or service, call: **1-800-422-1230**  
or visit our website at... **www.kitchenAid.com**  
In Canada, call: **1-800-807-6777**, or visit our website at... **www.KitchenAid.ca**

### TABLE OF CONTENTS

<b>WINE CELLAR SAFETY .....</b>	<b>2</b>
Proper Disposal of Your Old Wine Cellar .....	3
<b>INSTALLATION REQUIREMENTS .....</b>	<b>3</b>
Tools and Parts .....	3
Location Requirements .....	3
Product Dimensions .....	4
Custom Overlay Panel .....	4
Handle (Optional) .....	5
Electrical Requirements .....	5
<b>INSTALLATION INSTRUCTIONS .....</b>	<b>5</b>
Unpack the Wine Cellar .....	5
Custom Overlay Panel Installation .....	6
Installation and Door Closing .....	7
<b>USING WINE CELLAR .....</b>	<b>7</b>
Controls .....	7
Normal Sounds .....	8
Stocking the Wine Cellar .....	9
Wine Racks .....	9
<b>CARE AND CLEANING .....</b>	<b>10</b>
Cleaning .....	10
Removing Base Grille .....	10
Vacation Care .....	11
Moving Care .....	11
<b>TROUBLESHOOTING .....</b>	<b>11</b>
<b>ASSISTANCE .....</b>	<b>13</b>
In the U.S.A. ....	13
In Canada .....	13
Accessories .....	13

# WINE CELLAR SAFETY

## Your safety and the safety of others are very important.

We have provided many important safety messages in this manual and on your appliance. Always read and obey all safety messages.



This is the safety alert symbol.

This symbol alerts you to potential hazards that can kill or hurt you and others.

All safety messages will follow the safety alert symbol and either the word “DANGER” or “WARNING.”

These words mean:

**⚠ DANGER**

You can be killed or seriously injured if you don't immediately follow instructions.

**⚠ WARNING**

You can be killed or seriously injured if you don't follow instructions.

All safety messages will tell you what the potential hazard is, tell you how to reduce the chance of injury, and tell you what can happen if the instructions are not followed.

## IMPORTANT SAFETY INSTRUCTIONS

**WARNING:** To reduce the risk of fire, electric shock, or injury when using your wine cellar, follow these basic precautions:

- Plug into a grounded 3 prong outlet.
- Do not remove ground prong.
- Do not use an adapter.
- Do not use an extension cord.
- Disconnect power before servicing.
- Replace all parts and panels before operating.
- Remove doors from your old wine cellar.
- Use non flammable cleaner.
- Do not store or use petrol, flammable liquids or gas in the vicinity of this or other electrical appliances. The fumes can cause fires or explosions.
- Do not store explosive substances such as aerosol cans with a flammable propellant in this wine cellar.
- Do not use or place electrical devices inside the wine cellar compartments if they are not of the type expressly authorized by the manufacturer.
- Use two or more people to move and install wine cellar.
- This appliance is not intended for use by persons (including children) with reduced physical, sensory or mental capabilities, or lack of experience and knowledge, unless they have been given supervision or instruction concerning use of the appliance by a person responsible for their safety.
- Children should be supervised to ensure that they do not play with the appliance.
- To avoid the risk of children becoming trapped and suffocating, do not allow them to play or hide inside the wine cellar.
- If the power supply cord is damaged, it must be replaced by the manufacturer or its service agent or a similarly qualified person.
- Keep ventilation openings, in the appliance enclosure or in the built-in structure, clear of obstruction.
- Do not use mechanical devices or other means to accelerate the defrosting process, other than those recommended by the manufacturer
- Do not damage the refrigerant circuit.

**SAVE THESE INSTRUCTIONS**

## Proper Disposal of your Old Wine Cellar

**WARNING: Risk of child entrapment. Before you throw away your old Wine Cellar:**

- Take off the door.
- Leave the shelves in place so that children may not easily climb inside.

### **⚠ WARNING**

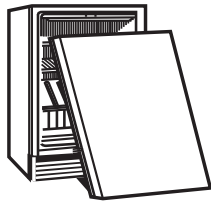
#### **Suffocation Hazard**

**Remove doors or lid from your old appliance.**

**Failure to do so can result in death or brain damage.**

**IMPORTANT:** Child entrapment and suffocation are not problems of the past. Junked or abandoned wine cellars are still dangerous – even if they will sit for “just a few days.”

If you are getting rid of your old wine cellar, please follow these instructions to help prevent accidents.



#### **Important information to know about disposal of refrigerants:**

Dispose of refrigerator in accordance with Federal and Local regulations. Refrigerants must be evacuated by a licensed, EPA certified refrigerant technician in accordance with established procedures.

## INSTALLATION REQUIREMENTS

### Tools and Parts

Gather the required tools and parts before starting installation.

#### **Tools and parts needed:**

- Phillips screwdriver.
- Custom Overlay Door Panel - Refer “Custom Overlay Panel Preparation”.
- Custom handle and mounting hardware (optional).

#### **Parts supplied:**

- M4 x 30 flathead screws (8).

## Location Requirements

### **⚠ WARNING**



#### **Explosion Hazard**

**Keep flammable materials and vapors, such as gasoline, away from wine cellar.**

**Failure to do so can result in death, explosion, or fire.**

**IMPORTANT:** This appliance is intended to be used in household and similar applications such as:

- Staff kitchen areas in shops, office and other working environments;
- Farm houses and by clients in hotels, motels and other residential type environments;
- Bed and breakfast type environments;
- Catering and similar non-retail applications.

#### **NOTES:**

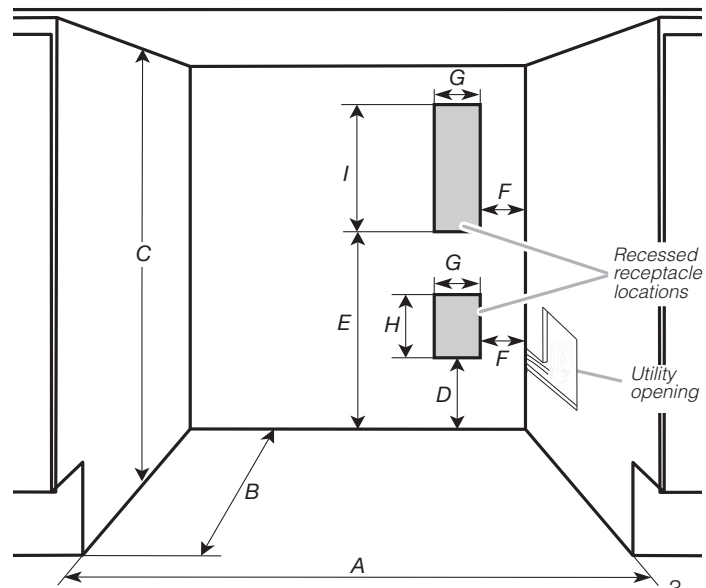
- For the wine cellar to be flush with the front of the base cabinets, remove any baseboards or moldings from the rear of the opening. See “Product Dimensions” and later in this section, “Opening Dimensions.”
- It is recommended that you do not install the wine cellar near an oven, radiator, or other heat source.
- Do not install in a location where the temperature will fall below 55 °F (13 °C). For best performance, do not install the wine cellar behind a cabinet door or block the base grille.

#### **Opening dimensions:**

- Height dimensions are shown with the leveling legs extended to the minimum height.

**NOTE:** When leveling legs are fully extended, add 5/8” (15 mm) to the height dimensions. See “Product Dimensions.”

- If the floor of the opening is not level with the kitchen floor, shim the opening to make it level with the kitchen floor.



Opening and utility location dimensions	
Opening width - A	24" (60.96 cm) min.
Opening depth - B	24" (60.96 cm) min.
Opening height - C	34 <sup>1</sup> / <sub>2</sub> " (87.6 cm) min. 35" (88.9 cm) max.
Dimension - D	12 <sup>1</sup> / <sub>16</sub> " (30.64 cm)
Dimension - E	21 <sup>3</sup> / <sub>4</sub> " (55.16 cm)
Dimension - F	1 <sup>3</sup> / <sub>4</sub> " (4.44 cm)
Dimension - G	3" (7.55 cm)
Dimension - H	4 <sup>1</sup> / <sub>2</sub> " (11.37 cm)
Dimension - I	9 <sup>1</sup> / <sub>4</sub> " (23.47 cm)

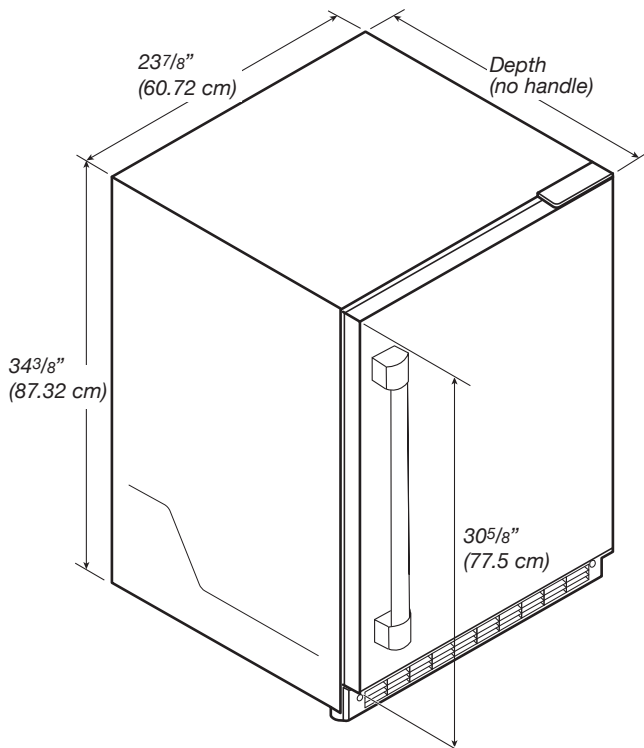
For flush installation, the power outlet can be installed in adjacent cabinetry with a cutout on the power cord side for routing of the power cord.

The power outlet can also be recessed on the back wall behind the unit as per recommended receptacle locations in the above illustration.

## Product Dimensions

Overall product	
Width (up to hinge cover)	23 <sup>7</sup> / <sub>8</sub> " (60.72 cm)
Height (up to hinge cover)	34 <sup>3</sup> / <sub>8</sub> " (87.32 cm)
Panel ready models depth (with 3/4" panel and no handle)	23 <sup>13</sup> / <sub>16</sub> " (60.5 cm)
Raw Door Height	30 <sup>5</sup> / <sub>8</sub> " (77.75 cm)
Depth (no handle)	23 <sup>5</sup> / <sub>8</sub> " (60.01 cm)

**NOTE:** The power cord is 60" (152.4 cm) long.



4

## Custom Overlay Panel

**NOTE:** For standard stainless steel or glass door models, skip these instructions and go to "Electrical Requirements" section.

If you plan to install a custom overlay panel, you will need to create the panel yourself or consult a qualified cabinet maker or carpenter. Refer dimension drawings for panel specifications.

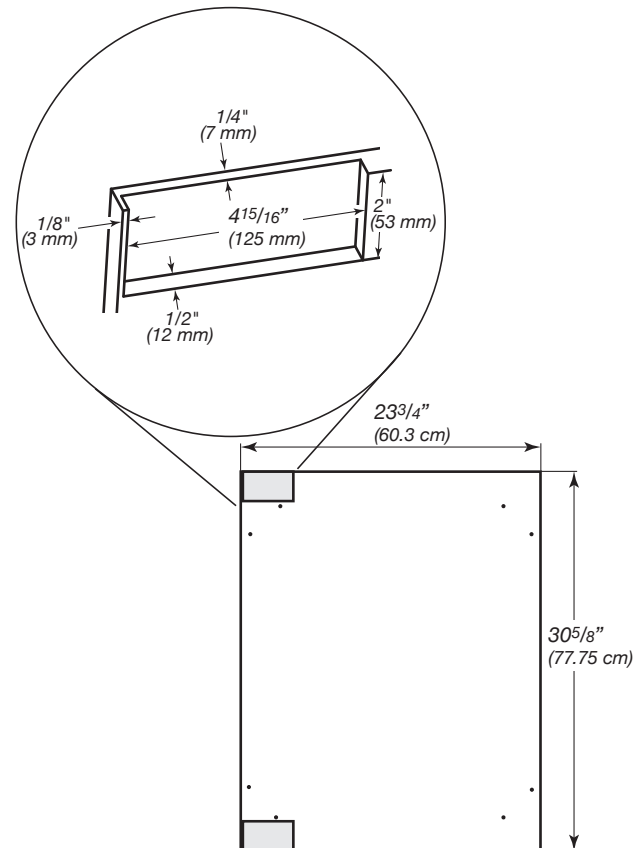
### IMPORTANT:

- The thickness of the overlay panel must be 3/4" (19 mm).
- Custom solid door overlay panel must not weigh more than 20 lb (9.07 kg).
- Custom glass door overlay panel must not weigh more than 10 lb (4.54 kg).
- Overlay panels weighing more than recommended may cause damage to your appliance.

### Solid door overlay panel - Preparation:

Create the custom overlay panel using the dimensions shown in the illustration "Solid door overlay panel and hinge routing dimensions". Route shaded areas to a 1/2" (12 mm) depth as shown.

**IMPORTANT:** The following graphic shows a custom panel for a door with the hinges installed on the right-hand side. If your wine cellar has the hinges installed on the left-hand side, rotate the custom frame 180° so the hinge markings will be on the left.

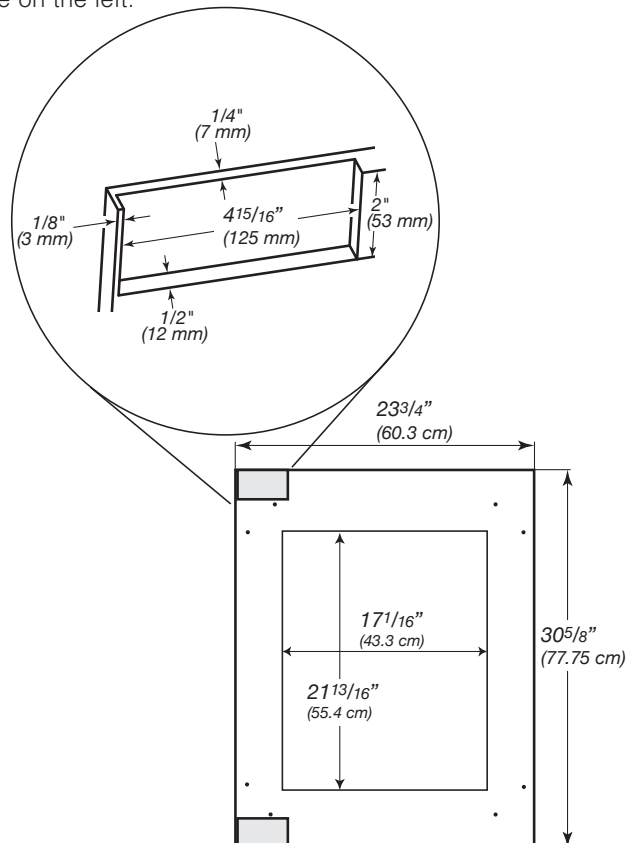


Solid door overlay panel and hinge routing dimensions

## Glass door overlay panel - Preparation:

Create the custom overlay panel using the dimensions shown in the illustration "Glass door overlay panel and hinge routing dimensions". Route shaded areas to a 1/2" (12 mm) depth as shown.

**IMPORTANT:** The following graphic shows a custom panel for a door with the hinges installed on the right-hand side. If your wine cellar has the hinges installed on the left-hand side, rotate the custom frame 180° so the hinge markings will be on the left.



Glass door overlay panel and hinge routing dimensions

## Handle (optional)

Custom handles are typically attached to the custom overlay door panel only.

Refer instructions received with KitchenAid handle kits to install these handles on custom wood panels.

Custom handle needs to be installed on the door panel with countersunk holes and installed before the custom overlay door panel has been installed on the wine cellar door.

## Electrical Requirements

### ⚠ WARNING



#### Electrical Shock Hazard

**Plug into a grounded 3 prong outlet.**

**Do not remove ground prong.**

**Do not use an adapter.**

**Do not use an extension cord.**

**Failure to follow these instructions can result in death, fire, or electrical shock.**

Before you move your wine cellar into its final location, it is important to make sure you have the proper electrical connection.

#### Recommended grounding method:

A 115 V, 60 Hz, AC only, 15 A or 20 A fused, grounded electrical supply is required. It is recommended that a separate circuit serving only your wine cellar be provided. Use an outlet that cannot be turned off by a switch. Do not use an extension cord.

**NOTE:** Before performing any type of installation, cleaning, or removing a light bulb, unplug wine cellar or disconnect power.

## INSTALLATION INSTRUCTIONS

### Unpack the Wine Cellar

### ⚠ WARNING

#### Excessive Weight Hazard

**Use two or more people to move and install or uninstall appliance.**

**Failure to do so can result in back or other injury.**

Before using your wine cellar, all packaging materials should be removed and the interior should be cleaned.

- Remove tape and glue residue from surfaces before turning on the wine cellar. With your fingers, rub a small amount of liquid dish soap over any adhesive and wipe with warm water to remove.
- Do not use sharp instruments, rubbing alcohol, flammable fluids, or abrasive cleaners to remove tape or glue. These can damage the surfaces of your wine cellar. For more information, refer "Wine Cellar Safety" section.

- Dispose of and/or recycle all packaging materials.
- After all packaging materials have been removed, clean the inside of your wine cellar. Refer the cleaning instructions in "Cleaning" section.

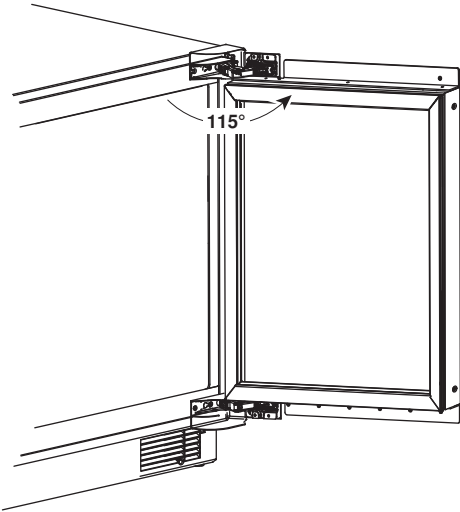
**NOTE:** For standard stainless steel or glass door models, skip to "Door Closing" section.

## Custom Overlay Panel Installation

### IMPORTANT:

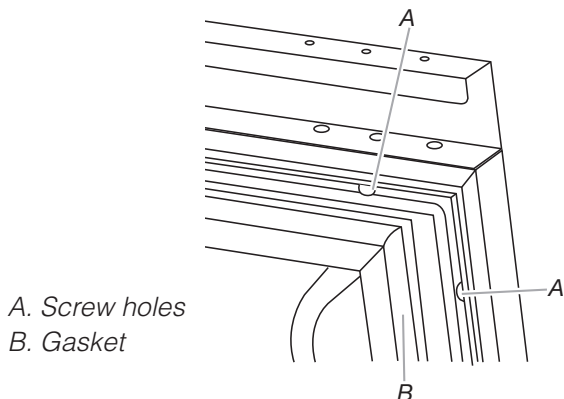
- Create custom overlay panel according to the specifications in the "Custom Overlay Panel" section.
- KitchenAid is not responsible for the removal or addition of molding or decorative panels that would not allow access to the wine cellar for service.

1. Open the door completely to 115°.

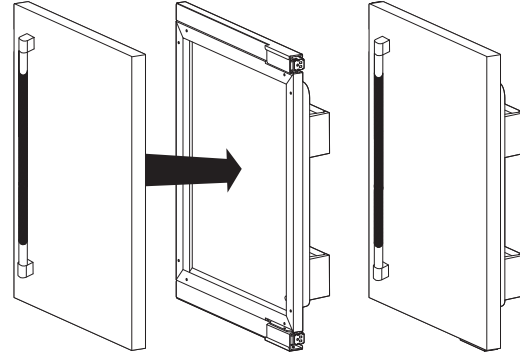


2. Remove the gasket from the corners of the door, pulling gently until the two screw holes in each corner of the door can be seen.

**NOTE:** The gasket does not have to be removed from the door, only the corners.

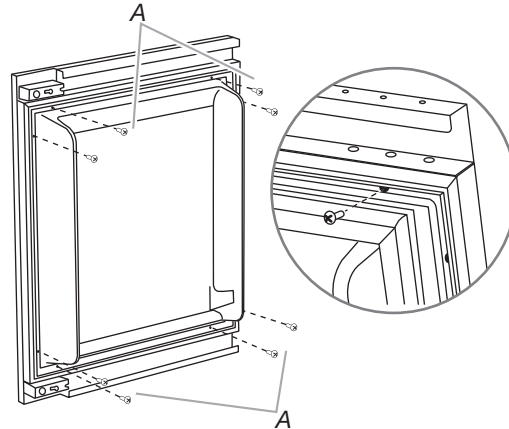


3. Using two people, hold the custom overlay panel against the door. Be sure that the top and bottom hinges fit accurately into the routing on back of the custom wood panel.



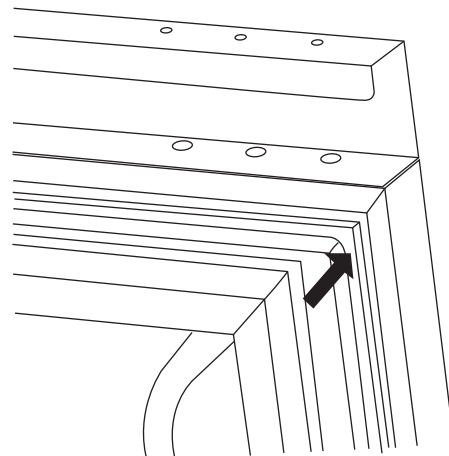
**NOTE:** Handle needs to be installed before the custom overlay door panel has been installed on the wine cellar door.

4. Fasten the custom panel to the door using two wood screws (provided in installation kit) at each corner.



A. M4 x 30 flathead screws (provided in installation kit)

5. Press the gasket firmly back into its original position.



## Installation and Door Closing

Your wine cellar has four leveling legs. If your wine cellar seems unsteady or you want the door to close more easily, adjust the wine cellar's tilt using the instructions below.

### ⚠ WARNING



#### Electrical Shock Hazard

**Plug into a grounded 3 prong outlet.**

**Do not remove ground prong.**

**Do not use an adapter.**

**Do not use an extension cord.**

**Failure to follow these instructions can result in death, fire, or electrical shock.**

1. Plug into a grounded 3 prong outlet.

### ⚠ WARNING

#### Excessive Weight Hazard

**Use two or more people to move and install or uninstall appliance.**

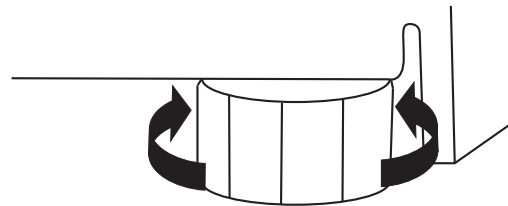
**Failure to do so can result in back or other injury.**

### When moving your Wine Cellar:

Your wine cellar is heavy. When moving the wine cellar for cleaning or service, be sure to cover the floor with cardboard or hardboard to avoid floor damage. Always pull the wine cellar straight out when moving it. Do not wiggle or "walk" the wine cellar when trying to move it, as floor damage could occur.

2. Move the wine cellar into its final location.
3. Turn the leveling legs to the right to lower the wine cellar, or turn the leveling legs to the left to raise it. It may take several turns of the leveling legs to adjust the tilt of the wine cellar.

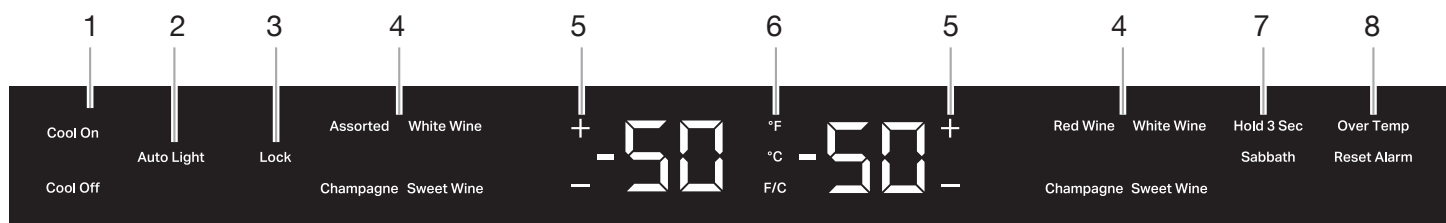
**NOTE:** Having someone push against the top of the wine cellar takes some weight off the leveling legs. This makes it easier to adjust the leveling legs.



4. Open the door and check that it closes as easily as you like. If not, tilt the wine cellar slightly more to the rear by turning both front leveling screws to the right. It may take several more turns, and you should turn both leveling legs the same amount.

## USING WINE CELLAR

### Controls



#### NOTES:

- When the wine cellar is turned On for the first time, the temperature defaults to the recommended setting.
- There are two adjustable temperature controls, one for each compartment.
- The left temperature and preset touch pads control the temperature of the upper compartment.
- The right temperature and preset touch pads control the temperature of the lower compartment.

#### 1. Turning Control On/Off

The first time that the wine cellar is plugged in, the control will be in Cool Off mode. Cool On and Cool Off will be the only options that display.

Press COOL ON for 3 seconds to turn on the wine cellar. All menus and recommended temperature settings will be displayed.

Cool On

Cool Off

#### 2. Auto Light Option

Features a proximity sensor in the base grille that automatically ramps on the LED interior display lighting when motion is detected.

Auto Light

When motion is no longer detected, the interior display light will turn off after 2 minutes.

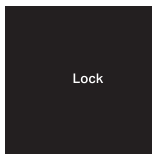
- Press the AUTO LIGHT option to activate this feature.
- When the AUTO LIGHT is not activated, the interior display light will only turn on when the door is opened.

**NOTE:** Leaving the light on for an extended period of time will slightly increase the temperature of the wine cellar.

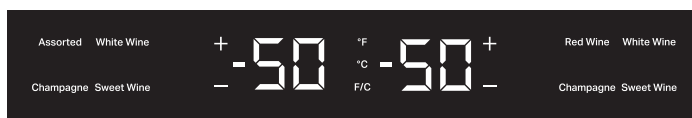
### 3. Control Lock

Avoids unintended temperature changes and makes it easy to clean the controls.

To activate Lock Mode, press and hold LOCK for 3 seconds. After the countdown, all other displays will turn off and become unavailable except Cool On, Cool Off and Lock.



### 4. Using Presets



For your convenience, your wine cellar also has controls that are preset to recommended storage temperature for specific wines. Pressing any preset option will set the temperature to the recommended temperature for the specified wine:

Assorted: 54 °F (12 °C)

Champagne: 46 °F (7 °C)

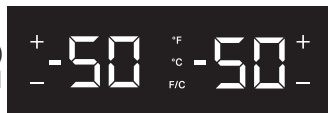
Red wine: 64 °F (17 °C)

Sweet wine: 42 °F (5 °C)

White wine: 50 °F (10 °C)

### 5. Adjusting the Temperatures

To adjust set point temperatures, press “+” (plus) or “-” (minus) until the desired temperature setting is reached. The control is set correctly when the wine is as cold as you like it.

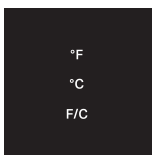


#### NOTES:

- The set point for the wine cellar is 50 °F (10 °C) for both the upper and lower compartments. The set point range for the upper compartment is 42 °F to 54 °F (5 °C to 12 °C) and 42 °F to 64 °F (5 °C to 17 °C) for the lower compartment.
- Wait at least 24 hours between adjustments for the product to acclimate. Recheck the temperatures before making further adjustments.

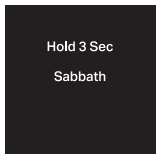
### 6. Viewing Celsius/Fahrenheit Temperatures

Press the F/C touch pad to toggle between displaying the temperature in degrees Fahrenheit and degrees Celsius. The corresponding indicator will illuminate.



### 7. Sabbath Mode

Allows the door of the wine cellar to be opened or closed on the Sabbath or other religious holidays without directly turning on or off any lights, digital readouts, fans, valves, tones or alarms. By selecting this feature, the temperature set points remain unchanged, but the control panel lights, interior lights, and control audio turn off. For most efficient wine cellar operation, it is recommended to exit the Sabbath Mode when it is no longer required.



- Press and hold SABBATH for 3 seconds to turn on the feature. After the 3 second countdown, the feature will activate and all other displays will turn Off.
- Press and hold SABBATH for 3 seconds to turn off the feature and turn on the display.

### 8. Over Temp Alarm

The Over Temperature feature is designed to let you know when the wine cellar temperature rises above 70 °F (21 °C) for 4 hours or longer. The audio alarm will shut off automatically when the temperature returns to normal. To let you know an Over Temperature condition occurred, the indicator light will continue to flash until the Reset Alarm touch pad is pressed.



If the over temperature condition is still present when an Over Temp reset is performed, the indicator light will continue to reactivate every 4 hours until the wine cellar temperature is below 70 °F (21 °C).

**NOTE:** These features will not appear on your control unless your wine cellar is above 70 °F (21 °C) and the alarm requires a reset.

### 9. Door Open Alarm

Helps avoid wine from spoiling by giving an audio and visual alert if the door is left open for 5 minutes.

If the door is open longer than 5 minutes, an alarm will sound every 2 minutes until the door is closed or any control is pressed.

### 10. Showroom Mode

This mode is used only when the wine cellar is on display in a retail store. To activate Showroom Mode, press and hold both Cool On and Sabbath for 3 seconds. If you unintentionally turn on Showroom Mode, Cool Off will light up on the display, and the controls will appear to work. Exit Showroom Mode by pressing and holding COOL ON and SABBATH at the same time for 3 seconds.

## Normal Sounds

Your new wine cellar may make sounds that your old one didn't make. Because the sounds are new to you, you might be concerned about them. Most of the new sounds are normal. Hard surfaces, such as the flooring and surrounding structures, can make the sounds seem louder. The following describes the kinds of sounds and what may be making them.

- Your wine cellar is designed to run more efficiently to keep your wine at the desired temperatures and to minimize energy usage. The high efficiency compressor and fans may

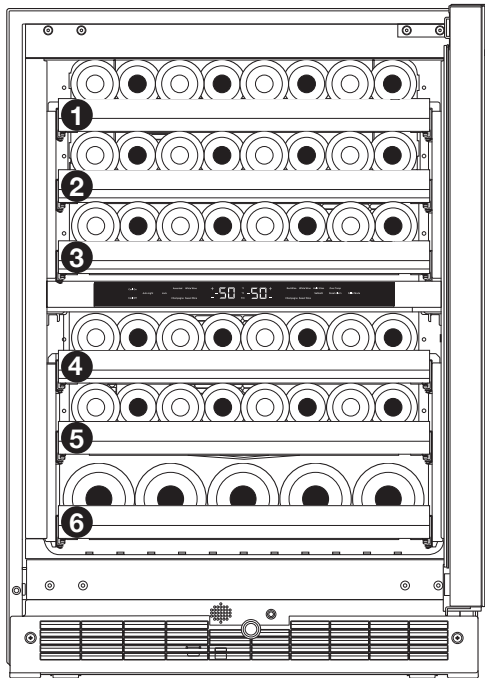


cause your wine cellar to run longer than your old one. You may also hear a pulsating or high-pitched sound from the compressor or fans adjusting to optimize performance.

- Rattling noises may come from the flow of refrigerant or items stored inside the wine cellar.
- As each cycle ends, you may hear a gurgling sound due to the refrigerant flowing in your wine cellar.
- You may hear water running into the drain pan when the wine cellar is defrosting.
- You may hear clicking sounds when the wine cellar starts or stops running.

## Stocking the Wine Cellar

**NOTE:** For optimum wine storage, place white wines at the top of the wine cellar, light red wines in the center and champagne/larger diameter wine bottles at the bottom.



**Racks 1-5:** For storing up to eight 750 ml wine bottles [diameter less than or equal to 3<sup>1</sup>/<sub>8</sub>" (80 mm)].

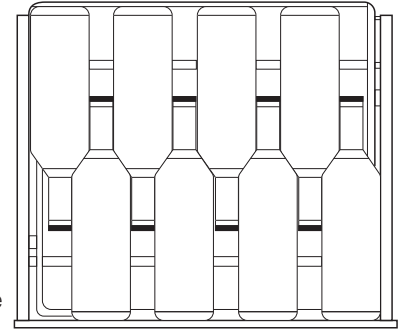
**Rack 6:** For storing up to five larger wine bottles [diameter up to 3<sup>3</sup>/<sub>4</sub>" (95 mm)].

### To stock the Wine Cellar - Racks 1 to 5:

**NOTE:** The wine rack can be stocked with the bottles facing either direction, however, to optimize storage adjacent bottles should be facing in opposite.

1. Start stocking the wine cellar with the bottom display rack (5).
2. Starting on the left-hand side, place the first bottle on the bottom of the rack with the neck of the bottle facing the front of the wine cellar.

3. Place the next bottle on its side with the neck of the bottle facing the back of the wine cellar. Alternate the direction of the bottles, in this manner, until the display rack is full.

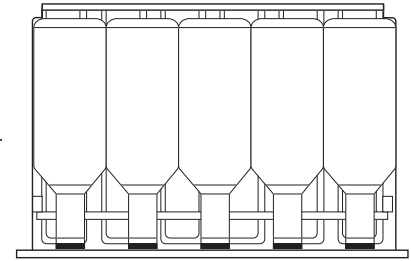


4. Slide the bottom rack into place and pull the next rack (4) forward.

5. Continue stocking each remaining rack as described in the above steps.

### To stock the Wine Cellar - Rack 6:

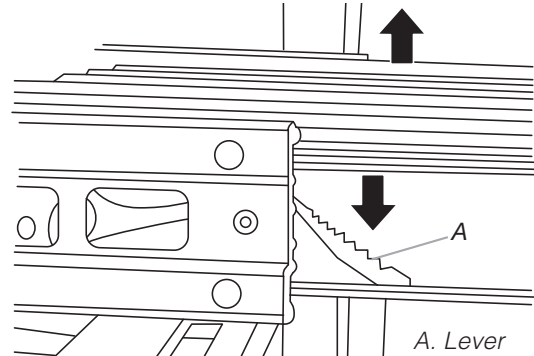
1. Starting from left-hand side of the bottom rack, place the first bottle with the neck of the bottle facing the front of the wine cellar.
2. Continue to place the remaining bottles facing in the same direction.



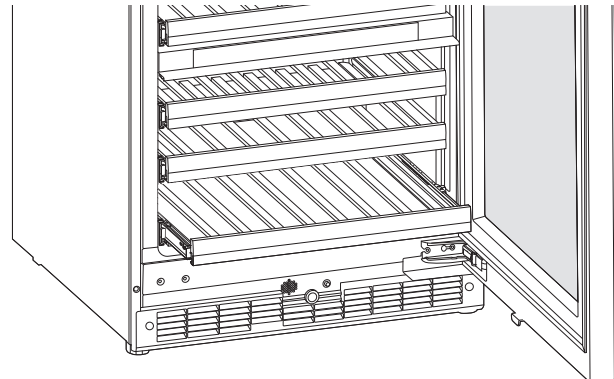
## Wine Racks

### Remove and replace the racks:

1. Pull the rack forward until it stops.
2. Press down on the left-hand lever while lifting up on the right-hand lever to release the rack. Pull the rack forward and lift it up and out of the rack supports.



3. Replace the rack by inserting the rack into the supports and sliding it in until it locks.



# CARE AND CLEANING

## Cleaning

### ⚠ WARNING



#### Explosion Hazard

- Risk of fire or explosion.**
- Flammable refrigerant used.**
- Do not use mechanical devices to defrost refrigerator.**
- Do not puncture refrigerant tubing.**

Clean the wine cellar once a month to avoid buildup of odors. Wipe up spills immediately.

#### To clean your Wine Cellar:

1. Unplug wine cellar or disconnect power.
2. Remove all racks from inside the wine cellar.
3. Hand wash, rinse, and dry removable parts and interior surfaces thoroughly. Use a clean sponge or soft cloth and a mild detergent in warm water.
  - To avoid damaging wooden tines and trim pieces, wipe them off with a clean sponge or soft cloth and warm water. Do not use detergent or immerse the entire rack into water when cleaning.
  - Do not use abrasive or harsh cleaners such as window sprays, scouring cleansers, flammable fluids, cleaning waxes, concentrated detergents, bleaches or cleansers containing petroleum products on plastic parts, interior and door liners or gaskets. Do not use paper towels, scouring pads, or other harsh cleaning tools. These can scratch or damage materials.
  - To help remove odors, you can wash interior walls with a mixture of warm water and baking soda [2 tbs to 1 qt (26 g to 0.95 L) of water].
4. Wash stainless steel and painted metal exteriors with a clean sponge or soft cloth and a mild detergent in warm water. Do not use abrasive or harsh cleaners, or cleaners containing chlorine. These can scratch or damage materials. Dry immediately with a soft, dry cloth to absorb any remaining water.

**NOTE:** To keep your stainless steel wine cellar looking like new and to remove minor scuffs or marks, it is recommended that you use the manufacturer's approved Stainless Steel Cleaner and Polish. To order the cleaner, refer "Accessories" section.

#### IMPORTANT:

- This cleaner is for stainless steel parts only!
- Do not allow the Stainless Steel Cleaner and Polish to come into contact with any plastic parts such as the trim pieces,

dispenser covers or door gaskets. If unintentional contact does occur, clean plastic part with a sponge and mild detergent in warm water. Dry immediately with a soft, dry cloth to absorb any remaining water.

5. Replace the racks.

#### Condenser cleaning

### ⚠ WARNING



#### Explosion Hazard

- Risk of fire or explosion due to puncture of refrigerant tubing.**
- Follow handling instructions carefully.**
- Flammable refrigerant used.**

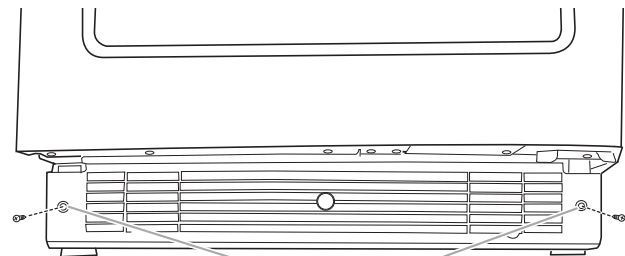
1. Remove the base grille to access condenser for cleaning. Refer "Removing Base Grille" section.
2. Clean the condenser coils regularly. They are located behind the base grille. Coils may need to be cleaned as often as every other month. This may help save energy.

## Removing Base Grille

You must remove the base grille to access the condenser coils for cleaning.

#### To remove the base grille:

1. Open the wine cellar door.



A. Screws

2. Using a Phillips screwdriver, remove the two screws.
3. Remove the base grille.

#### To replace the base grille:

1. Open the wine cellar door.
2. Position the base grille so that both tabs align and the base grille snaps into place. Replace two screws. Tighten the screws.

## Vacation Care

If you choose to turn the wine cellar off before you leave, follow these steps.

1. Remove all wine bottles from the wine cellar.
2. Unplug the wine cellar.
3. Clean the wine cellar. Refer “Cleaning” section.
4. Tape a rubber or wood block to the top of the door to prop it open far enough for air to get in. This stops odor and mold from building up.

## Moving Care

When you are moving your wine cellar to a new home, follow these steps to prepare it for the move.


1. Remove all wine bottles from the wine cellar.
2. Unplug the wine cellar.
3. Clean, wipe, and dry it thoroughly.
4. Take out all removable parts, wrap them well, and tape them together so they don't shift and rattle during the move.
5. Tape the doors shut and tape the power cord to the wine cellar.

When you get to your new home, put everything back and refer to the “Installation Instructions” received with the wine cellar.

# TROUBLESHOOTING

Try the solutions suggested here first in order to avoid the cost of an unnecessary service call.

**⚠ WARNING**



**Electrical Shock Hazard**

**Plug into a grounded 3 prong outlet.**

**Do not remove ground prong.**

**Do not use an adapter.**

**Do not use an extension cord.**

**Failure to follow these instructions can result in death, fire, or electrical shock.**

### GENERAL OPERATION

### Possible Causes and/or Recommended Solutions

#### Wine Cellar will not operate

- **Power supply cord unplugged?** Plug into a grounded 3 prong outlet.
- **Is outlet working?** Plug in a lamp to see if the outlet is working.
- **Household fuse blown, or a circuit breaker tripped?** Replace the fuse or reset the circuit. If the problem continues, call an electrician.
- **Are controls on?** Be sure that the wine cellar controls are on. Refer “Controls” section.

#### The motor seems to run too much

- **Is the temperature outside hotter than normal?** Expect the motor to run longer under warm conditions. At normal temperatures, expect your motor to run about 40 % to 80 % of the time. Under warmer conditions, expect it to run even more of the time.
- **Is the door opened often?** Expect the motor to run longer when this occurs. In order to conserve energy, try to get everything you need out of the wine cellar at once. Keep wine bottles positioned label side up so that they are easy to find, and close the door as soon as the wine is removed.



---

**GENERAL OPERATION**

---

**Possible Causes and/or Recommended Solutions**

---

**The motor seems to run too much**

- **Is the control set correctly for the surrounding conditions?** Refer “Controls” section.
- **Is the door closed completely?** Push the door firmly shut. If it will not shut all the way, refer “The door will not close completely” later in this section.
- **Are the condenser coils dirty?** This obstructs air transfer and makes the motor work harder. Clean the condenser coils. Refer “Cleaning” section.

---

**TEMPERATURE AND MOISTURE**

---

**Possible Causes and/or Recommended Solutions**

---

**Temperature is too warm**

- **Is the door opened often?** Be aware that the wine cellar will warm when this occurs. In order to keep the wine cellar cool, try to get everything you need out of the wine cellar at once. Keep wine bottles positioned label side up so that they are easy to find, and close the door as soon as the wine is removed.
- **Is the control set correctly for the surrounding conditions?** Refer “Controls” section.
- **Is the base grille blocked?** For best performance, do not install the wine cellar behind a cabinet door or block the base grille.

**There is interior moisture buildup:**

- **Is the door opened often?** To avoid humidity buildup, try to get everything you need out of the wine cellar at once, keep wine bottles positioned label side up so that they are easy to find, and close the door as soon as the wine is removed. When the door is opened, humidity from the room air enters the wine cellar. The more often the door is opened, the faster humidity builds up, especially when the room itself is very humid.
- **Is it humid?** It is normal for moisture to build up inside the wine cellar when the air is humid.
- **Is the control set correctly for the surrounding conditions?** Refer “Controls” section.


---

**DOOR**

---

**Possible Causes and/or Recommended Solutions**

---

<b>⚠ WARNING</b>

<b>Explosion Hazard</b>
<b>Use nonflammable cleaner.</b>
<b>Failure to do so can result in death, explosion, or fire.</b>

**The door is difficult to open**

- **Is the gasket dirty or sticky?** Clean the gasket and the surface that it touches. Rub a thin coat of paraffin wax on the gasket following cleaning.

**The door will not close completely**

- **Are the racks out of position?** Put the racks back into their correct positions. Refer “Wine Racks” section for more information.
- **Is the gasket sticking?** Clean the gasket and the surface that it touches. Rub a thin coat of paraffin wax on the gasket following cleaning.



# ASSISTANCE

## If you need service:

Before calling for assistance or service, please check "Troubleshooting." It may save you the cost of a service call. If you still need help, follow the instructions below.

When calling, please know the purchase date and the complete model and serial number of your appliance. This information will help us to better respond to your request. Please refer to the warranty page in this manual for more information on service.

## If you need replacement parts:

Component parts should be replaced with like components and servicing should be done by factory authorized service personnel, so as to minimize the risk of possible ignition due to incorrect parts or improper service.

## In the U.S.A.

Call the KitchenAid Customer eXperience Center toll free: **1-800-422-1230**.

### Our Consultants Provide Assistance With:

- Features and specifications on our full line of appliances.
- Installation information.
- Use and maintenance procedures.
- Accessory and repair parts sales.
- Specialized customer assistance (Spanish speaking, hearing impaired, limited vision, etc.).
- Referrals to local dealers, repair parts distributors, and service companies. KitchenAid designated service technicians are trained to fulfill the product warranty and provide after-warranty service, anywhere in the United States.

To locate the KitchenAid designated service company in your area, you can also look in your telephone directory Yellow Pages.

### For Further Assistance

If you need further assistance, you can write to KitchenAid with any questions or concerns at:

KitchenAid Brand Home Appliances  
Customer eXperience Center  
553 Benson Road  
Benton Harbor, MI 49022-2692

Please include a daytime phone number in your correspondence.

## In Canada

Call the KitchenAid Canada Customer eXperience Centre toll free: **1-800-807-6777**.

### Our Consultants Provide Assistance With:

- Features and specifications on our full line of appliances.
- Use and maintenance procedures.
- Accessory and repair parts sales.
- Referrals to local dealers, repair parts distributors, and services companies. KitchenAid Canada designated service technicians are trained to fulfill the product warranty and provide after-warranty service, anywhere in Canada.

### For Further Assistance

If you need further assistance, you can write to KitchenAid Canada with any questions or concerns at:

KitchenAid Canada  
Customer eXperience Centre  
200 – 6750 Century Ave.  
Mississauga, Ontario L5N 0B7

Please include a daytime phone number in your correspondence.

## Accessories

The following accessories are available for your wine cellar. To order an accessory, contact us and ask for the Part Number.

In the U.S.A., visit our webpage **[www.kitchenaid.com/accessories](http://www.kitchenaid.com/accessories)** or call **1-800-442-9991**.

In Canada, visit our webpage **[www.whirlpoolparts.ca](http://www.whirlpoolparts.ca)** or call **1-800-807-6777**.

**Stainless Steel Cleaner and Polish**  
Order Part #4396095

# CAVE À VIN

## Guide d'Utilisation et d'Entretien et Instructions d'Installation

Pour des questions sur les fonctionnalités, fonctionnement/performance, pièces, accessoires ou service, appelez le: **1-800-422-1230** ou visitez notre site Web à ... **www.kitchenAid.com**  
Au Canada, pour assistance, installation ou service, composez le **1-800-807-6777** ou visitez notre site web à... **www.KitchenAid.ca**

### TABLE DES MATIÈRES

<b>SÉCURITÉ DE LA CAVE À VIN</b> .....	<b>15</b>
Mise au Rebut de Votre Vieille Cave à Vin .....	16
<b>EXIGENCES D'INSTALLATION</b> .....	<b>16</b>
Outils et Pièces.....	16
Exigences d'Emplacement .....	16
Dimensions du Produit.....	17
Panneau Décoratif Personnalisé .....	17
Poignées (Facultatif).....	18
Spécifications Électriques.....	18
<b>INSTRUCTIONS D'INSTALLATION</b> .....	<b>18</b>
Déballage de la Cave à Vin .....	18
Installation du Panneau Personnalisé .....	19
Installation et Fermeture de la Porte .....	20
<b>UTILISATION DE LA CAVE À VIN</b> .....	<b>20</b>
Commandes .....	20
Sons Normaux .....	21
Stockage dans la Cave à Vin.....	22
Porte-Bouteilles.....	22
<b>ENTRETIEN ET NETTOYAGE</b> .....	<b>23</b>
Nettoyage .....	23
Enlever la Grille de la Base.....	23
Entretien Avant les Vacances.....	24
Précautions à Prendre Avant un Déménagement .....	24
<b>DÉPANNAGE</b> .....	<b>24</b>
<b>ASSISTANCE</b> .....	<b>26</b>
Aux États-Unis .....	26
Au Canada.....	26
Accessoires .....	26

# SÉCURITÉ DE LA CAVE À VIN

## Votre sécurité et celle des autres est très importante.

Nous donnons de nombreux messages de sécurité importants dans ce manuel et sur votre appareil ménager. Assurez-vous de toujours lire tous les messages de sécurité et de vous y conformer.



Voici le symbole d'alerte de sécurité.

Ce symbole d'alerte de sécurité vous signale les dangers potentiels de décès et de blessures graves à vous et à d'autres.

Tous les messages de sécurité suivront le symbole d'alerte de sécurité et le mot "DANGER" ou "AVERTISSEMENT". Ces mots signifient:

**⚠ DANGER**

**Risque possible de décès ou de blessure grave si vous ne suivez pas immédiatement les instructions.**

**⚠ AVERTISSEMENT**

**Risque possible de décès ou de blessure grave si vous ne suivez pas les instructions.**

Tous les messages de sécurité vous diront quel est le danger potentiel et vous disent comment réduire le risque de blessure et ce qui peut se produire en cas de non-respect des instructions.

## IMPORTANTES INSTRUCTIONS DE SÉCURITÉ

**AVERTISSEMENT:** Pour réduire les risques d'incendie, de décharge électrique ou de blessures lors de l'utilisation du cave à vin, prendre quelques précautions fondamentales, y compris les suivantes:

- Brancher sur une prise de courant à 3 alvéoles, reliée à la terre.
- Ne pas enlever la prise de liaison à la terre.
- Ne pas utiliser d'adaptateur.
- Ne pas utiliser de rallonge.
- Déconnecter la source de courant électrique avant l'entretien.
- Replacer pièces et panneaux avant de faire la mise en marche.
- Enlever les portes de votre ancien cave à vin.
- Utiliser un produit de nettoyage ininflammable.
- Ne pas utiliser ou conserver d'essence ni de liquides ou gaz inflammables à proximité de cet ou d'autres appareils électriques. Les fumées peuvent causer des incendies ou des explosions.
- Ne pas conserver de substances explosives, par exemple des bombes aérosols contenant un agent propulseur, dans ce cave à vin.
- Ne pas utiliser ni placer dans les compartiments du cave à vin des dispositifs électriques d'un type autre que celui expressément autorisé par le fabricant.
- Utiliser deux personnes ou plus pour déplacer et installer le cave à vin.
- Cet appareil ne convient pas à une utilisation par des personnes (y compris des enfants) à capacités physiques, sensorielles ou mentales réduites, ou possédant un manque d'expérience et de connaissances, à moins qu'elles ne soient placées sous supervision ou qu'elles aient reçu des instructions concernant l'utilisation de l'appareil par une personne responsable de leur sécurité.
- Les enfants doivent être placés sous surveillance afin de s'assurer qu'ils ne jouent pas avec l'appareil.
- Pour éviter le risque que des enfants restent enfermés à l'intérieur et s'asphyxient, ne pas les laisser jouer ou se cacher dans le cave à vin.
- Si le cordon d'alimentation est endommagé, il doit être remplacé par le fabricant ou son technicien d'entretien ou une personne possédant une qualification similaire.
- Les prises d'air de l'enceinte de l'appareil ou de la structure encastré doivent être dégagées en tout temps.
- Ne pas utiliser d'appareils mécaniques ou d'autres moyens pour accélérer le dégivrage que ceux recommandés par le fabricant.
- Ne pas endommager le circuit frigorigène.

**CONSERVER CES INSTRUCTIONS**

## Mise au Rebut du Votre Vieille Cave à Vin

### AVERTISSEMENT: Risque de coincement de l'enfant. Avant de jeter votre ancien Cave à Vin:

- Enlevez les portes.
- Laissez les étagères en place afin que les enfants ne puissent pas facilement grimper à l'intérieur.

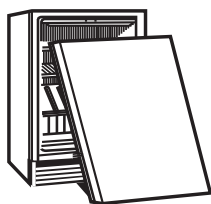
### AVERTISSEMENT

#### Risque de Suffoquer

Enlever les portes ou le couvercle de votre vieil appareil.

Le non-respect de cette instruction peut causer un décès ou des lésions cérébrales.

**IMPORTANT:** Le risque qu'un enfant puisse se retrouver coincé et suffoquer n'est pas chose du passé. Les caves à vin jetés ou abandonnés restent dangereux, même s'ils ne restent à l'extérieur que pour "quelques jours seulement". Si l'ancien cave à vin doit être mis au rebut, suivre les instructions suivantes afin d'éviter les accidents.



### Renseignements importants à propos de la mise au rebut des fluides réfrigérants:

Mettre le réfrigérateur au rebut conformément à la réglementation fédérale et locale. Les fluides réfrigérants doivent être évacués par un technicien certifié et agréé par l'EPA conformément aux procédures établies.

## EXIGENCES D'INSTALLATION

### Outils et Pièces

Rassembler les outils et pièces nécessaires avant d'entreprendre l'installation.

#### Outils et pièces nécessaires:

- Tournevis à tête cruciforme.
- Panneau de porte décoratif personnalisé – voir la section "Dimensions du panneau décoratif personnalisé".
- Poignée personnalisée et matériel de fixation (facultatif).

#### Pièces fournies:

- 8 vis fraisées de M4 x 30.

## Exigences d'Emplacement

### AVERTISSEMENT



#### Risque d'Explosion

Garder les matériaux et les vapeurs inflammables, telle que l'essence, loin la cave à vin.

Le non-respect de cette instruction peut causer un décès, une explosion ou un incendie.

**IMPORTANT:** Cet appareil est destiné à un usage domestique et à d'autres usages similaires comme:

- Espace de cuisine pour personnel de boutiques, bureaux et autres environnements professionnels.
- Fermes et par les clients des hôtels, motels et autres environnements de type résidentiel.
- Environnements de type chambres d'hôtes.
- Banquets et autres utilisations non commerciales semblables.

#### REMARQUES:

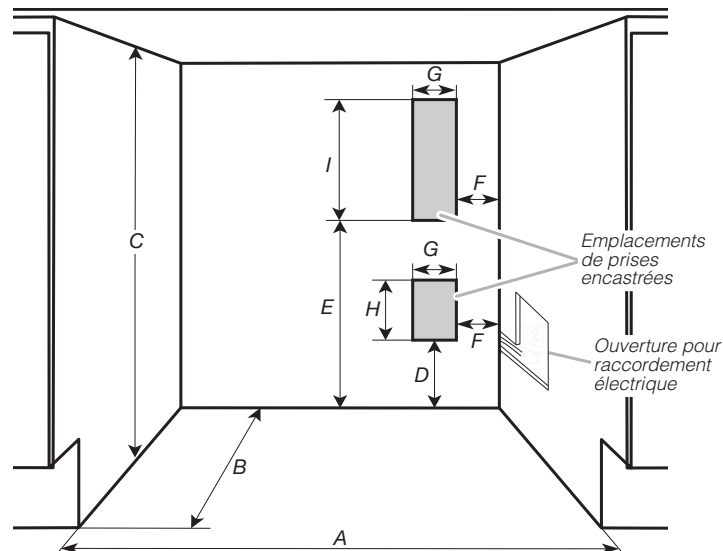
- Lorsqu'on souhaite placer la cave à vin en affleurement avec la façade des armoires inférieures, enlever toutes les moulures et plinthes à l'arrière de l'ouverture. Voir "Dimensions du produit" et plus loin dans cette section "Dimensions de l'ouverture".
- Il est conseillé de ne pas installer la cave à vin près d'un four, d'un radiateur ou de toute autre source de chaleur.
- Ne pas installer l'appareil dans un endroit où la température pourrait descendre sous 55 °F (13 °C). Pour le meilleur rendement, ne pas installer la cave à vin derrière une porte d'armoire ni obstruer la grille de la base.

#### Dimensions de l'ouverture:

- Les dimensions de hauteur indiquées correspondent à la configuration selon laquelle les pieds de nivellement sont déployés à la hauteur minimale.

**REMARQUE:** Lorsque les pieds de nivellement sont complètement déployés, ajouter 5/8" (15 mm) aux dimensions de hauteur. Voir la section "Dimensions du produit".

- Si le plancher de l'ouverture n'est pas au même niveau que le plancher de la cuisine, installer des cales pour établir un niveau uniforme avec le plancher de la cuisine.





Dimensions de l'ouverture et de l'emplacement pour raccordement électrique	
Largeur de l'ouverture - A	24" (60.96 cm) min.
Profondeur de l'ouverture - B	24" (60.96 cm) min.
Hauteur de l'ouverture - C	34 <sup>1</sup> / <sub>2</sub> " (87.6 cm) min. 35" (88.9 cm) max.
Dimension - D	12 <sup>1</sup> / <sub>16</sub> " (30.64 cm)
Dimension - E	21 <sup>3</sup> / <sub>4</sub> " (55.16 cm)
Dimension - F	1 <sup>3</sup> / <sub>4</sub> " (4.44 cm)
Dimension - G	3" (7.55 cm)
Dimension - H	4 <sup>1</sup> / <sub>2</sub> " (11.37 cm)
Dimension - I	9 <sup>1</sup> / <sub>4</sub> " (23.47 cm)

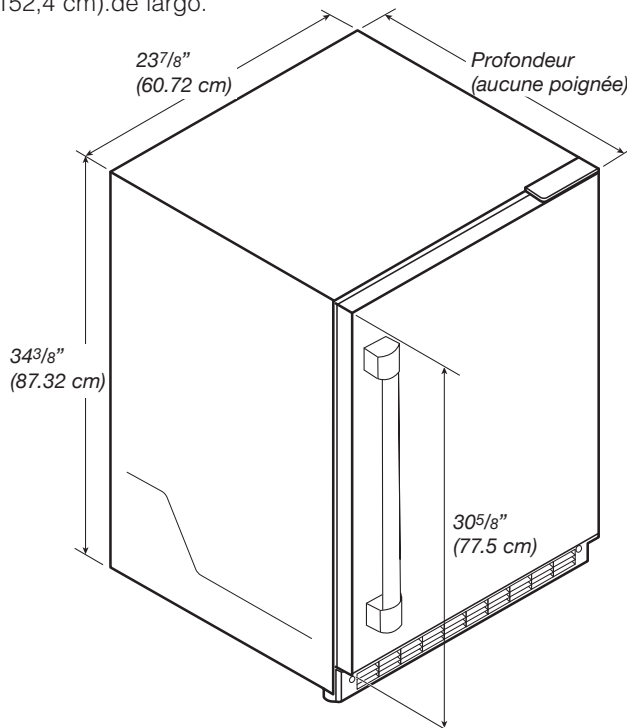
Pour une installation en affleurement, la prise de courant peut être installée dans des armoires adjacentes avec une découpe du côté du cordon d'alimentation pour l'acheminement du cordon d'alimentation.

La prise de courant peut également être encastrée sur le mur arrière derrière l'appareil, conformément aux emplacements recommandés pour les prises dans l'illustration ci-dessus.

## Dimensions du Produit

Produit entier	
Largeur (jusqu'au cache charnière)	23 <sup>7</sup> / <sub>8</sub> " (60.72 cm)
Hauteur (jusqu'au cache charnière)	34 <sup>3</sup> / <sub>8</sub> " (87.32 cm)
Profondeur des modèles compatibles avec les panneaux (avec panneau de 3/4" et sans poignée)	23 <sup>13</sup> / <sub>16</sub> " (60.5 cm)
Hauteur de porte	30 <sup>5</sup> / <sub>8</sub> " (77.75 cm)
Profondeur (sans poignée)	23 <sup>5</sup> / <sub>8</sub> " (60.01 cm)

**REMARQUE:** La longueur du cordon d'alimentation est de 60" (152,4 cm) de largo.



## Panneau Décoratif Personnalisé

**REMARQUE:** Pour les modèles standards en acier inoxydable ou avec porte en verre, passer ces instructions et commencer directement à la section "Spécifications électriques".

Pour l'installation d'un panneau décoratif personnalisé, l'installateur devra fabriquer lui-même le panneau ou consulter un ébéniste ou menuisier qualifié. Consulter le dessin des dimensions pour les spécifications du panneau.

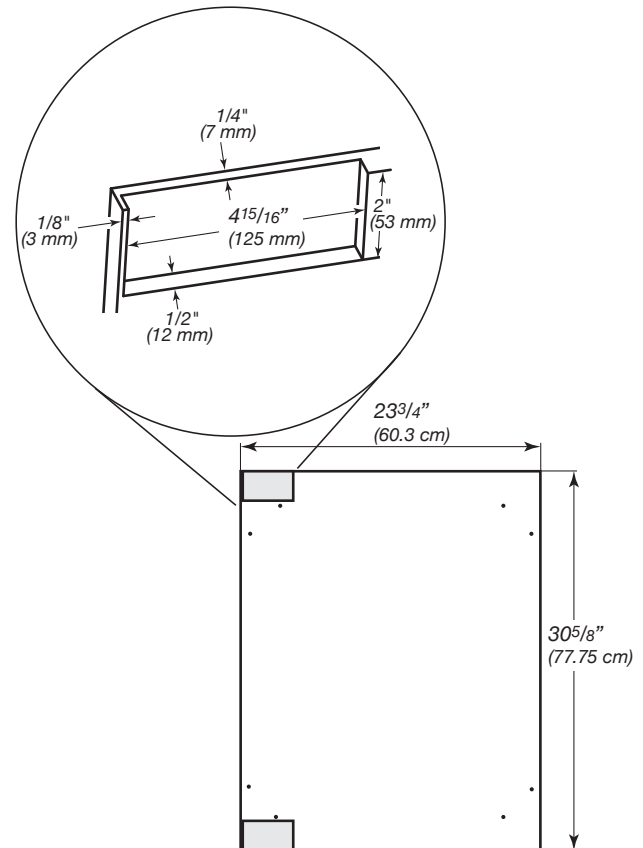
### IMPORTANT:

- L'épaisseur du panneau décoratif doit être de 3/4" (19 mm).
- Le poids du panneau décoratif plein personnalisé ne doit pas dépasser 20 lb (9,07 kg).
- Le poids du panneau décoratif en verre personnalisé ne doit pas dépasser 10 lb (4,54 kg).
- Un panneau décoratif pesant plus que la limite recommandée risque d'endommager l'appareil.

### Panneau décoratif plein personnalisé - Préparation:

Fabriquer le panneau décoratif personnalisé en utilisant les dimensions indiquées dans l'illustration dimensions du panneau décoratif plein personnalisé et position des charnières. Les zones foncées doivent être creusées de 1/2" (12 mm) comme indiqué.

**IMPORTANT:** L'illustration suivante présente un panneau personnalisé pour une porte dont les charnières sont installées du côté droit. Si les charnières de votre cave à vin sont installées du côté gauche, faire tourner le cadre personnalisé de 180° pour que les marques de charnière se retrouvent du côté gauche.

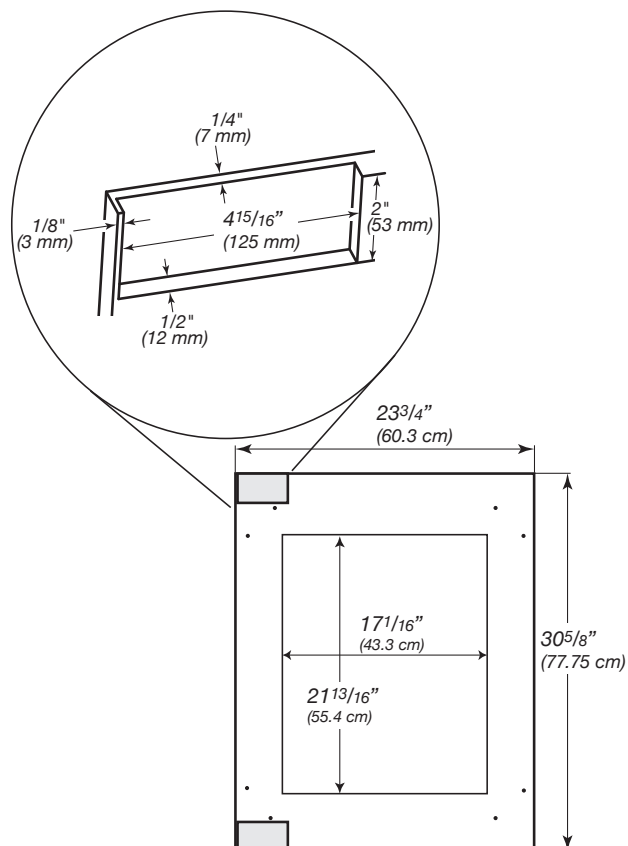


Dimensions du panneau décoratif plein personnalisé et position des charnières.

## Panneau décoratif en verre personnalisé - Préparation:

Fabriquer le panneau décoratif personnalisé en utilisant les dimensions indiquées dans l'illustration dimensions du panneau décoratif en verre personnalisé et position des charnières. Les zones foncées doivent être creusées de 1/2" (12 mm) comme indiqué.

**IMPORTANT:** L'illustration suivante présente un panneau personnalisé pour une porte dont les charnières sont installées du côté droit. Si les charnières de votre cave à vin sont installées du côté gauche, faire tourner le cadre personnalisé de 180° pour que les marques de charnière se retrouvent du côté gauche.



Dimensions du panneau décoratif en verre personnalisé et position des charnières.

## Poignées (facultatif)

Des poignées personnalisées sont habituellement fixées seulement sur le panneau de porte personnalisé.

Consulter les instructions reçues avec la trousse de poignée KitchenAid pour installer ces poignées sur les panneaux de bois personnalisés.

Les poignées personnalisées doivent être installées sur le panneau de porte à l'aide de trous fraisés, avant d'installer le panneau sur la porte du cave à vin.

## Spécifications Électriques

### ⚠ AVERTISSEMENT



#### Risque de Décharge Électrique

**Brancher sur une prise à 3 alvéoles reliée à la terre.**

**Ne pas enlever la broche de liaison à la terre.**

**Ne pas utiliser un adaptateur.**

**Ne pas utiliser un câble de rallonge.**

**Le non-respect de ces instructions peut causer un décès, un incendie ou un décharge électrique.**

Avant de placer la cave à vin à son emplacement final, il est important de s'assurer d'avoir la connexion électrique appropriée.

#### Méthode recommandée de mise à la terre:

Chaque appareil doit être alimenté par un circuit à 115 VAC à 60 Hz relié à la terre et protégé par un fusible de 15 A ou 20 A. Il est recommandé d'utiliser un circuit distinct pour alimenter uniquement la cave à vin. Utiliser une prise de courant dont l'alimentation ne peut pas être interrompue par un interrupteur. Ne pas utiliser de rallonge.

**REMARQUE:** Avant d'exécuter tout type d'installation, de nettoyage ou de remplacement d'une ampoule d'éclairage, débrancher la cave à vin ou déconnecter la source de courant électrique.

## INSTRUCTIONS D'INSTALLATION

### Déballage de la Cave à Vin

### ⚠ AVERTISSEMENT

#### Risque du Poids Excessif

**Utiliser deux personnes ou plus pour déplacer et installer ou désinstaller l'appareil.**

**Le non-respect de cette instruction peut causer une blessure au dos ou d'autre blessure.**

Avant d'utiliser la cave à vin, tous les matériaux d'emballage doivent être enlevés et l'intérieur doit être nettoyé.

- Enlever tout résidu de ruban adhésif et de colle des surfaces avant de mettre en marche la cave à vin. Frotter une petite quantité de savon à vaisselle liquide avec ses doigts sur tout adhésif et essuyer avec de l'eau chaude pour enlever.
- Ne pas utiliser d'instruments coupants, d'alcool à friction, de liquides inflammables ou de nettoyants abrasifs pour enlever le ruban adhésif ou la colle. Ces produits peuvent

endommager les surfaces de la cave à vin. Pour plus de renseignements, voir la section "Sécurité de la cave à vin".

- Jeter ou recycler tous les matériaux d'emballage.
- Une fois que tous les matériaux d'emballage ont été retirés, nettoyer l'intérieur de la cave à vin. Consulter les instructions de nettoyage dans la section "Nettoyage".

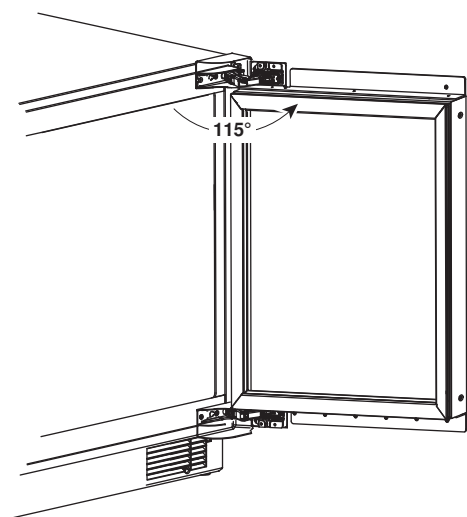
**REMARQUE:** Pour les modèles standards en acier inoxydable ou avec porte en verre, passer la section "Fermeture de la porte".

## Installation du Panneau Personnalisé

### IMPORTANT:

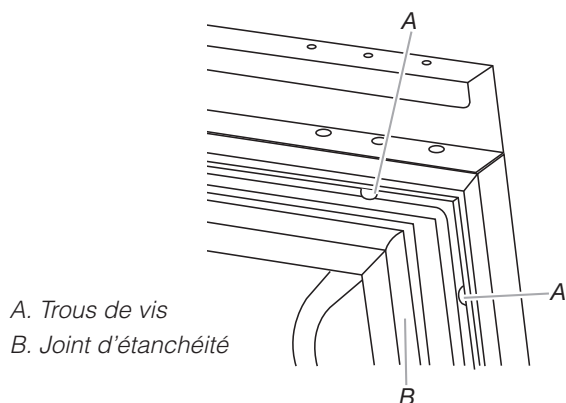
- Réaliser le panneau décoratif personnalisé selon les spécifications de la section "Panneau décoratif personnalisé".
- KitchenAid n'est pas responsable des opérations d'enlèvement et de réinstallation des moulures ou panneaux décoratifs qui entraveraient l'accès au cave à vin lors d'une intervention de réparation.

1. Ouvrir complètement la porte à 115°.

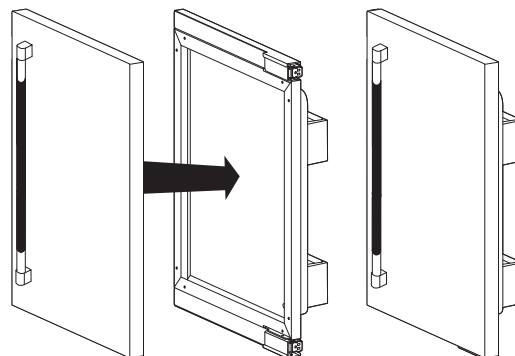


2. Retirer le joint d'étanchéité des coins de la porte en tirant doucement jusqu'à ce que les deux trous de vis dans chaque coin de la porte soient visibles.

**REMARQUE:** Le joint d'étanchéité n'a pas besoin d'être enlevé de la porte, seulement les coins.

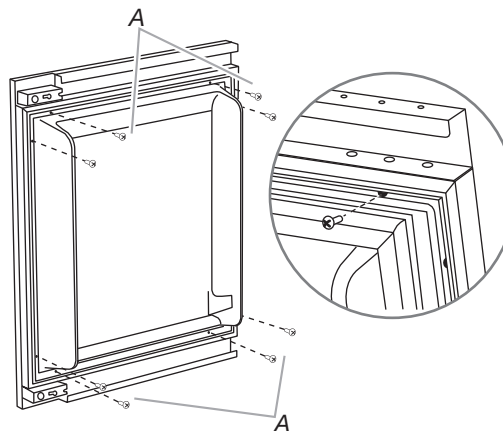


3. À deux personnes, maintenir le panneau personnalisé contre la porte. S'assurer que les charnières du haut et du bas s'insèrent parfaitement dans les fentes au dos du panneau personnalisé.



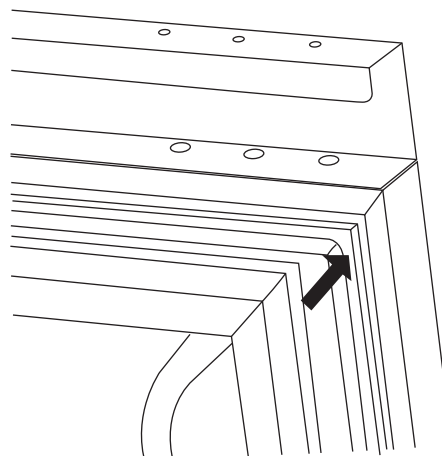
**REMARQUE:** Les poignées doivent être installées sur le panneau de porte avant d'installer ce dernier sur la porte du cave à vin.

4. Fixer le panneau personnalisé sur la porte à l'aide de deux vis à bois (fournies dans l'ensemble d'installation) à chaque coin.



A. Vis à tête fraisée M4 x 30 (incluses dans la trousse d'installation)

5. Appuyer fermement sur le joint pour le remettre à sa place.



## Installation et Fermeture de la Porte

La cave à vin dispose de quatre pieds de nivellement. Si la cave à vin semble instable ou si vous désirez que la porte se ferme plus facilement, ajuster l'inclinaison de la cave à vin en observant les instructions ci-dessous.

### ⚠ AVERTISSEMENT



#### Risque de Décharge Électrique

- Brancher sur une prise à 3 alvéoles reliée à la terre.**
- Ne pas enlever la broche de liaison à la terre.**
- Ne pas utiliser un adaptateur.**
- Ne pas utiliser un câble de rallonge.**
- Le non-respect de ces instructions peut causer un décès, un incendie ou un décharge électrique.**

1. Brancher l'appareil sur une prise à 3 alvéoles reliée à la terre.

### ⚠ AVERTISSEMENT

#### Risque du Poids Excessif

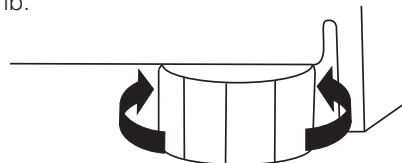
- Utiliser deux personnes ou plus pour déplacer et installer ou désinstaller l'appareil.**
- Le non-respect de cette instruction peut causer une blessure au dos ou d'autre blessure.**

### Déplacement de votre Cave à Vin:

Votre cave à vin est lourde. Lors du déplacement de la cave à vin pour un nettoyage, un entretien ou réparation, veiller à recouvrir le plancher avec du carton ou un panneau de fibre dur pour éviter qu'il ne subisse tout dommage. Toujours tirer la cave à vin tout droit lors du déplacement. Ne pas incliner la cave à vin d'un côté ou de l'autre ni la "faire marcher" en essayant de le déplacer, car le plancher pourrait être endommagé.

2. Déplacer la cave à vin à son emplacement définitif.
3. Tourner les pieds de réglage de l'aplomb vers la droite pour abaisser la cave à vin ou tourner les pieds de réglage de l'aplomb vers la gauche pour la soulever. Il peut être nécessaire de tourner les pieds de nivellement plusieurs fois pour ajuster l'inclinaison de la cave à vin.

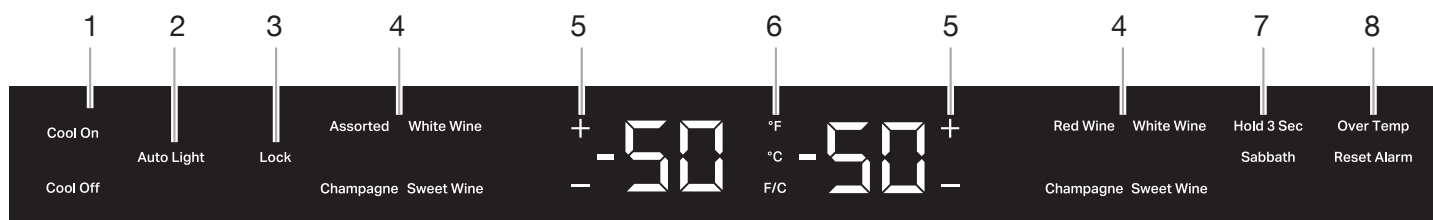
**REMARQUE:** Si une autre personne pousse le haut de la cave à vin, le poids devient moins lourd sur les pieds de nivellement, ce qui rend plus facile l'ajustement des pieds d'aplomb.



4. Ouvrir la porte et s'assurer qu'elle ferme comme vous le désirez. Sinon, incliner la cave à vin un peu plus vers l'arrière en tournant les deux vis de nivellement avant vers la droite. Plusieurs tours peuvent être nécessaires et il convient de tourner les deux vis de réglage de l'aplomb de façon égale.

## UTILISATION DE LA CAVE À VIN

### Commandes



#### REMARQUE:

- Lorsque l'on met en marche la cave à vin pour la première fois, la température est réglée par défaut sur le réglage recommandé.
- Il y a deux commandes réglables de la température, une pour chaque compartiment.
- Le clavier tactile de température et de pré-réglage gauche commande la température du compartiment supérieur.
- Le clavier tactile de température et de pré-réglage droit commande la température du compartiment inférieur.

#### 1. Mise en Marche/arrêt de la Commande

La première fois que la cave à vin est branchée, la commande est réglée en mode Cool Off (refroidissement désactivé). Cool On (refroidissement activé) et Cool Off (refroidissement activé) sont les seules options affichées.

Appuyer sur COOL ON (refroidissement activé) pendant 3 secondes pour mettre en marche la cave à vin. Tous les menus et les réglages de température recommandés s'affichent.

#### 2. Option d'Éclairage Automatique

Comporte un capteur de proximité dans la grille de base qui augmente automatiquement l'éclairage de l'afficheur intérieur à DEL lorsqu'un mouvement est détecté. Lorsque

Cool On

Cool Off

Auto Light

plus aucun mouvement n'est détecté, la lampe intérieur s'éteint au bout de 2 minutes.

- Appuyer sur l'option AUTO LIGHT (lampe auto) pour activer cette caractéristique.
- Lorsque la fonction AUTO LIGHT (lampe auto) n'est pas activée, la lampe d'intérieur ne s'allument que lorsque la porte est ouverte.

**REMARQUE:** La température de la cave à vin augmente légèrement si la lumière est laissée allumée pendant une période prolongée.

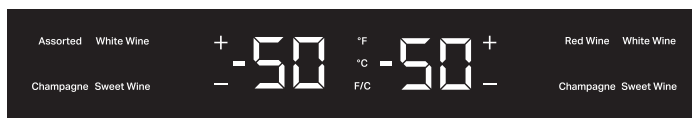
### 3. Verrouillage des Commandes

Évite les changements de température inattendus et facilite le nettoyage des commandes.

Pour activer le mode de verrouillage, appuyer sur LOCK (verrouillage) pendant 3 secondes. Après le compte à rebours, tous les autres affichages s'éteignent et deviennent indisponibles sauf Cool On (refroidissement activé), Cool Off (refroidissement désactivé) et Lock (verrouillage).

Lock

### 4. Utilisation des Préréglages



Pour votre commodité, la cave à vin est également équipée de commandes préréglées à des températures d'entreposage recommandées pour des vins spécifiques. En appuyant sur une option de préréglage, la température sera réglée au niveau recommandé pour un vin spécifique:

Assorted (assortiment): 54 °F (12 °C)

Champagne: 46 °F (7 °C)

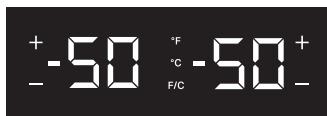
Red wine (Vin rouge): 64 °F (17 °C)

Sweet wine (Vin doux): 42 °F (5 °C)

White wine (Vin blanc): 50 °F (10 °C)

### 5. Réglage des Températures

Pour ajuster les réglages de température, appuyer sur la touche "+" (plus) ou "-" (moins) jusqu'à ce que la température désirée soit atteinte. La commande est réglée correctement lorsque le vin est à la température idéale.



#### REMARQUE:

- La température réglée pour la cave à vin est de 50 °F (10 °C) pour le compartiment supérieur et le compartiment inférieur. La gamme de réglage pour le compartiment supérieur varie de 42 °F à 54 °F (5 °C à 12 °C) et de 42 °F à 64 °F (5 °C à 17 °C) pour le compartiment inférieur.
- Attendre au moins 24 heures entre les réglages pour que les produits s'adaptent. Vérifier de nouveau la température avant de procéder à d'autres réglages.

### 6. Visualisation de la Température en degrés Celsius/Fahrenheit

Appuyer sur la touche tactile F/C pour alterner l'affichage de la température en degrés Fahrenheit ou en degrés Celsius. Le témoin correspondant s'allumera.

°F  
°C  
F/C

### 7. Mode Sabbat

Permet d'ouvrir ou de fermer la porte de la cave à vin le jour du sabbat ou lors d'autres fêtes religieuses sans allumer ou éteindre directement les lumières, les affichages numériques, les ventilateurs, les vannes, les tonalités ou les alarmes. En sélectionnant cette caractéristique, les points de réglage de température restent inchangés, mais les lumières du panneau de commande, les lampes intérieur et les signaux sonores du panneau de commande sont désactivés. Pour un fonctionnement plus efficace de la cave à vin, il est recommandé de sortir du mode Sabbat lorsque celui-ci n'est plus nécessaire.

Hold 3 Sec  
Sabbath

- Appuyer sur SABBATH (Sabbat) pendant 3 secondes pour activer la caractéristique. Après le compte à rebours de 3 secondes, la caractéristique s'active et tous les autres affichages s'éteignent.
- Appuyer sur SABBATH (Sabbat) pendant 3 secondes pour désactiver la caractéristique et activer l'affichage.

### 8. Alarme de Dépassement de Température

La caractéristique de dépassement de la température est conçue pour vous avertir lorsque la température de la cave à vin dépasse 70 °F (21 °C) pendant plus de 4 heures. L'alarme sonore s'éteint automatiquement lorsque la température revient à la normale. Pour vous avertir d'un dépassement de température, le témoin lumineux continue de clignoter jusqu'à ce que l'on appuie sur la touche Reset Alarm (réinitialisation de l'alarme).

Over Temp  
Reset Alarm

Si le dépassement de température persiste après une réinitialisation de l'alarme de dépassement de température, le témoin lumineux continue de se réactiver toutes les 4 heures jusqu'à ce que la température de la cave à vin descende en-dessous de 70 °F (21 °C).

**REMARQUE:** Ces caractéristiques ne s'affichent pas sur la commande à moins que la température de la cave à vin dépasse 70 °F (21 °C) et que l'alarme doit être réinitialisée.

### 9. Alarme de Porte Ouverte

Permet d'éviter que le vin ne se gâte en donnant une alerte sonore et visuelle si la porte reste ouverte pendant 5 minutes. Si la porte est laissée ouverte pendant plus de 5 minutes, l'avertisseur retentira toutes les 2 minutes jusqu'à ce que l'on ferme la porte ou que l'on appuie sur n'importe quelle touche.

### 10. Mode d'Exposition

Ce mode est utilisé uniquement lorsque la cave à vin est en exposition dans le magasin. Pour activer le mode d'Exposition, maintenez les touches Cool On et Sabbath en même temps pendant 3 secondes. Si l'on active involontairement le mode d'exposition, "Cool Off" (refroidissement désactivé) s'allume sur l'affichage et les commandes semblent fonctionner. Sortir du mode d'exposition en appuyant simultanément sur Cool On (refroidissement activé) et SABBATH (Sabbat) pendant 3 secondes.

## Sons Normaux

Il est possible que la cave à vin neuve émette des sons que l'appareil précédent ne produisait pas. Comme ces sons sont nouveaux, ils peuvent vous inquiéter. La plupart de ces nouveaux sons sont normaux. Les sons peuvent vous sembler plus forts avec des surfaces dures telles que le plancher et les structures adjacentes. Les descriptions suivantes indiquent le genre de sons et leur cause possible.

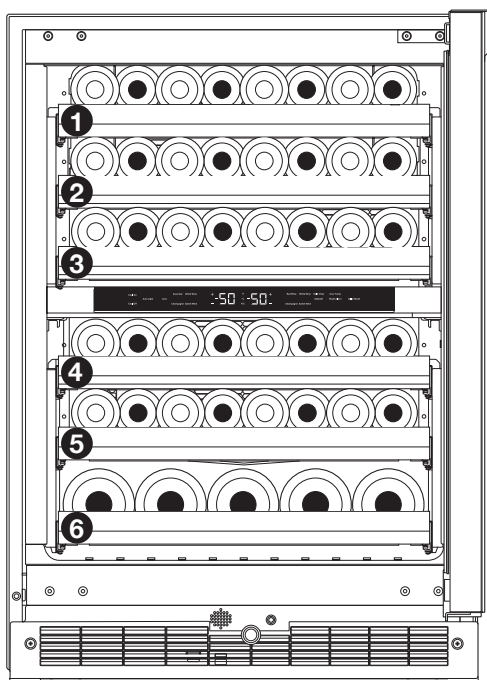
- La cave à vin est conçue pour fonctionner de manière plus efficace afin de conserver votre vin aux températures désirées et de réduire la consommation d'énergie.

Le compresseur et les ventilateurs à haute efficacité peuvent faire fonctionner votre cave à vin plus longtemps que l'ancienne. Il se peut également que vous entendiez un bruit saccadé ou aigu provenant du compresseur ou des ventilateurs qui se règlent pour optimiser la performance.

- Des vibrations sonores peuvent provenir de l'écoulement du réfrigérant ou d'articles placés dans la cave à vin.
- À la fin de chaque programme, il se peut que vous entendiez un gargouillement attribuable au réfrigérant qui se trouve dans votre cave à vin.
- Vous pouvez entendre l'écoulement de l'eau dans le plat de récupération d'eau de dégivrage lorsque la cave à vin dégivre.
- Vous pouvez entendre des déclics lorsque la cave à vin se met en marche ou s'arrête.

## Stockage dans la Cave à Vin

**REMARQUE:** Pour une conservation optimale du vin, placer les vins blancs dans la partie supérieure de la cave à vin, les vins rosés au centre et les bouteilles de champagne/de plus grand diamètre dans la partie inférieure.



**Porte-bouteilles 1-5:** Pour stocker jusqu'à huit bouteilles de vin de 750 mL [diamètre inférieur ou égal à 31/8" (80 mm)]

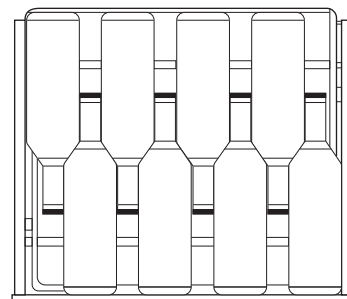
**Porte-bouteilles 6:** Pour stocker jusqu'à cinq bouteilles de vin plus grandes [diamètre jusqu'à 33/4" (95 mm)].

### Stockage de Vins dans la Cave à Vin - Porte-Bouteilles 1 à 5:

**REMARQUE:** Le porte-bouteilles peut être utilisé pour ranger les bouteilles orientées dans les deux sens. Toutefois, pour optimiser le stockage, les bouteilles adjacentes doivent être orientées dans le sens opposé.

1. Débuter le stockage dans la cave à vin par le présentoir de porte-bouteilles du bas (5).
2. En commençant par le côté gauche, placer la première bouteille sur le bas du porte-bouteilles, le goulot de la bouteille vers l'avant de la cave à vin.

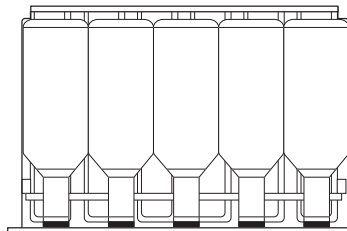
3. Placer la bouteille suivante à côté, le goulot de la bouteille vers l'arrière de la cave à vin. Alternier ainsi l'orientation des bouteilles jusqu'à ce que le porte-bouteilles soit plein.
4. Insérer le porte-bouteilles inférieur (le faire glisser) et tirer le porte-bouteilles suivant (4) vers l'extérieur.



5. Continuer à insérer les porte-bouteilles suivants un à un tel que décrit dans les étapes ci-dessus.

### Stockage de Vins dans la Cave à Vin - Porte-Bouteilles 6:

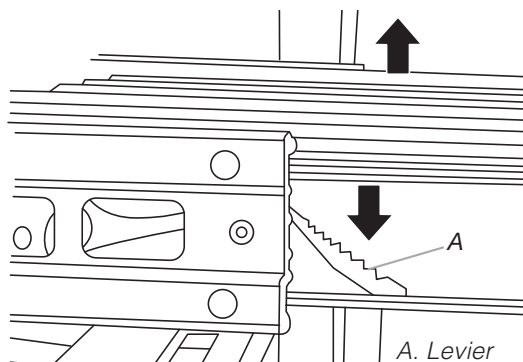
1. En commençant par le côté gauche du porte-bouteilles inférieur, placer la première bouteille avec le goulot de la bouteille orienté vers l'avant de la cave à vin.
2. Continuer à placer les bouteilles restantes dans le même sens.



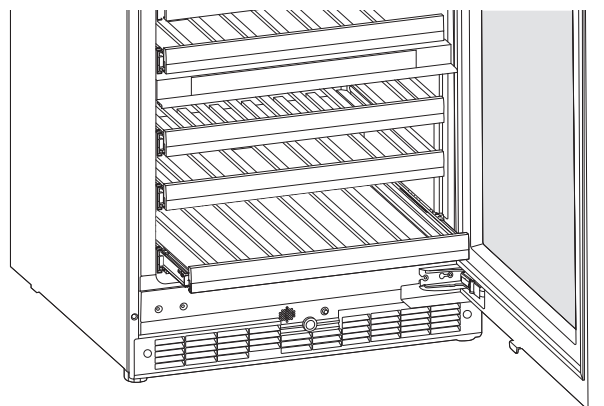
## Porte-Bouteilles

### Retirer et replacer les porte-bouteilles:

1. Tirer le porte-bouteilles vers l'avant jusqu'à la butée.
2. Appuyer sur le levier gauche tout en levant le levier droit pour dégager le porte-bouteilles. Tirer le porte-bouteilles vers l'avant et le soulever hors de ses supports.



3. Réinstaller le porte-bouteilles en l'insérant dans les supports et en le faisant glisser jusqu'en butée.



# ENTRETIEN ET NETTOYAGE

## Nettoyage

### ⚠ AVERTISSEMENT



#### Risque d'Explosion

Risque d'incendie ou d'explosion.

Fluide frigorigène inflammable utilisé.

Ne pas utiliser d'appareils mécaniques pour dégivrer le réfrigérateur.

Ne pas perforer la tubulure de réfrigération.

Nettoyer la cave à vin une fois par mois pour empêcher une accumulation d'odeurs. Essuyer les renversements immédiatement.

#### Pour nettoyer la Cave à Vin:

1. Débrancher la cave à vin ou déconnecter la source de courant électrique.
2. Retirer tous les porte-bouteilles de l'intérieur de la cave à vin.
3. Laver à la main, rincer et sécher les pièces amovibles et les surfaces internes soigneusement. Utiliser une éponge propre ou un linge doux et un détergent doux dans de l'eau tiède.
  - Afin d'éviter d'endommager les tiges en bois et les garnitures, les essuyer avec une éponge propre ou un chiffon doux et de l'eau tiède. Ne pas utiliser de détergent ni immerger le porte-bouteilles tout entier dans l'eau lors du nettoyage.
  - Ne pas utiliser de nettoyants puissants ou abrasifs tels que les nettoyants à vitre en atomiseurs, nettoyants à récurer, liquides inflammables, cires nettoyantes, détergents concentrés, agents de blanchiment ou nettoyants contenant du pétrole sur les pièces en plastique, les garnitures intérieures et garnitures de portes ou sur les joints de portes. Ne pas utiliser d'essuie-tout, de tampons à récurer ou d'autres outils de nettoyage abrasifs. Ces produits risquent d'égratigner ou d'endommager les matériaux.
  - Pour aider à éliminer les odeurs, on peut laver les parois intérieures avec un mélange d'eau tiède et de bicarbonate de soude [2 c. à soupe pour 1 pte (26 g pour 0,95 L) d'eau].
4. Laver les surfaces extérieures en acier inoxydable et surfaces extérieures peintes avec une éponge propre ou un linge doux et un détergent doux dans de l'eau tiède. Ne pas utiliser de produits de nettoyage forts ou abrasifs, ni de nettoyants à base de chlore. Ces produits risquent d'égratigner ou d'endommager les matériaux. Séchez immédiatement avec un chiffon doux et sec pour absorber l'eau restante.

**REMARQUE:** Pour que votre cave à vin en acier inoxydable conserve son aspect neuf et pour enlever les petites égratignures ou marques, il est recommandé d'utiliser le nettoyant et poli pour acier inoxydable approuvé par le fabricant. Pour commander le nettoyant, voir la section "Accessoires".

#### IMPORTANT:

- Ce nettoyant doit être utilisé sur les pièces en acier inoxydable uniquement!

- Veiller à ce que le nettoyant et poli pour acier inoxydable n'entre pas en contact avec les pièces de plastique comme les garnitures, couvercles de distributeurs ou joints de porte. En cas de contact non intentionnel, nettoyer la pièce de plastique avec une éponge et un détergent doux dans de l'eau tiède. Séchez immédiatement avec un chiffon doux et sec pour absorber l'eau restante.

5. Réinstaller les porte-bouteilles.

#### Nettoyage du condensateur:

### ⚠ AVERTISSEMENT



#### Risque d'Explosion

Risque d'incendie ou d'explosion causé par la perforation de la tubulure de réfrigération.

Suivre avec attention les instructions de manipulation.

Fluide frigorigène inflammable utilisé.

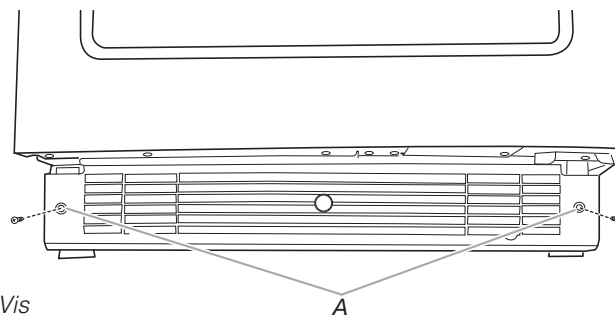
1. Retirer la grille de la base pour pouvoir accéder au condenseur aux fins de nettoyage. Se reporter à la section "Retrait de la grille de la base".
2. Nettoyer régulièrement les serpentins du condenseur. Ils sont situés derrière la grille de la base. Il se peut que les serpentins aient besoin d'être nettoyés tous les deux mois. Ce nettoyage peut aider à économiser de l'énergie.

## Enlever la Grille de la Base

La grille de la base doit être retirée pour pouvoir accéder aux serpentins du condenseur lors du nettoyage.

#### Pour enlever la grille de la base:

1. Ouvrir la porte de la cave à vin.



A. Vis

A

2. À l'aide d'un tournevis à tête cruciforme, ôter les deux vis.
3. Retirer la grille de la base.

#### Pour replacer la grille de la base:

1. Ouvrir la porte de la cave à vin.
2. Positionner la grille de la base de façon à ce que les onglets soient alignés et que la grille de la base s'emboîte. Réinstaller les deux vis. Serrer les vis.

## Entretien Avant les Vacances

Si vous choisissez d'arrêter la cave à vin avant votre absence, suivez ces étapes.

1. Retirer toutes les bouteilles de la cave à vin.
2. Débrancher la cave à vin.
3. Nettoyer la cave à vin. Se reporter à la section "Nettoyage".
4. À l'aide d'un ruban adhésif, placer un bloc de caoutchouc ou de bois dans la partie supérieure de la porte de façon à ce qu'elle soit suffisamment ouverte pour permettre l'entrée de l'air à l'intérieur, afin d'éviter l'accumulation d'odeur ou de moisissure.

## Précautions à Prendre Avant un Déménagement

Lors du déplacement de la cave à vin dans une nouvelle habitation, suivre ces étapes pour préparer le déménagement.

1. Retirer toutes les bouteilles de la cave à vin.
2. Débrancher la cave à vin.
3. Nettoyer, essuyer et sécher à fond.
4. Retirer toutes les pièces amovibles, bien les envelopper et les attacher ensemble avec du ruban adhésif pour qu'elles ne bougent et ne s'entrechoquent pas durant le déménagement.
5. Fermer les portes à l'aide de ruban adhésif et fixer le cordon d'alimentation à la caisse de la cave à vin.

Lors de l'arrivée au nouveau domicile, remettre tout en place et consulter les "Instructions d'installation" fournies à avec la cave à vin.

## DÉPANNAGE

Essayer d'abord les solutions suggérées ici afin d'éviter le coût d'une intervention de dépannage inutile.

**⚠ AVERTISSEMENT**



**Risque de Décharge Électrique**

**Brancher sur une prise à 3 alvéoles reliée à la terre.**

**Ne pas enlever la broche de liaison à la terre.**

**Ne pas utiliser un adaptateur.**

**Ne pas utiliser un câble de rallonge.**

**Le non-respect de ces instructions peut causer un décès, un incendie ou un décharge électrique.**

### UTILISATION GÉNÉRALE

### Causes Possibles et Solutions Recommandées

#### La cave à vin ne fonctionne pas

- **Le cordon d'alimentation électrique est-il débranché?** Brancher l'appareil sur une prise à 3 alvéoles reliée à la terre.
- **La prise électrique fonctionne-t-elle?** Brancher une lampe pour voir si la prise fonctionne.
- **Un fusible du domicile est-il grillé ou un disjoncteur s'est-il déclenché?** Remplacer le fusible ou remettre le disjoncteur en fonction. Si le problème persiste, appeler un électricien.
- **Les commandes sont-elles activées?** S'assurer que les commandes de la cave à vin sont activées. Se reporter à la section "Commandes".

#### Le moteur semble fonctionner trop

- **La température ambiante est-elle plus élevée que d'habitude?** Prévoir que le moteur fonctionnera plus longtemps dans des conditions de chaleur. Pour des températures normales, prévoir que le moteur fonctionne à peu près 40 % à 80 % du temps. Dans des conditions plus chaudes, prévoir un fonctionnement encore plus fréquent.
- **La porte est-elle ouverte fréquemment?** Prévoir que le moteur fonctionne plus longtemps dans ce cas. Pour économiser de l'énergie, essayer de sortir tout ce dont on a besoin de la cave à vin en une fois. Placer les bouteilles de vin avec l'étiquette orientée vers le haut de sorte qu'elles soient faciles à trouver et fermer la porte dès que le vin a été retiré.





## UTILISATION GÉNÉRALE

### Causes Possibles et Solutions Recommandées

#### Le moteur semble fonctionner trop

- **Le réglage est-il correct pour les conditions existantes?** Se reporter à la section "Commandes".
- **La porte est-elle bien fermée?** Bien fermer la porte. Si elle ne ferme pas complètement, voir "La porte ne ferme pas complètement" plus loin dans cette section.
- **Les serpentins du condenseur sont-ils sales?** Cette situation fait obstruction au transfert de l'air et fait travailler davantage le moteur. Nettoyer les serpentins du condenseur. Se reporter à la section "Nettoyage".

## TEMPÉRATURE ET HUMIDITÉ

### Causes Possibles et Solutions Recommandées

#### La température est trop élevée

- **La porte est-elle ouverte fréquemment?** Prévoir que la cave à vin deviendra tiède dans ce cas. Pour maintenir la cave à vin fraîche, essayer de sortir tout ce dont on a besoin de la cave à vin en une fois. Placer les bouteilles de vin avec l'étiquette orientée vers le haut de sorte qu'elles soient faciles à trouver et fermer la porte dès que le vin a été retiré.
- **Le réglage est-il correct pour les conditions existantes?** Se reporter à la section "Commandes".
- **La grille de la base est-elle obstruée?** Pour le meilleur rendement, ne pas installer la cave à vin derrière une porte d'armoire ni obstruer la grille de la base.

#### Il y a accumulation d'humidité à l'intérieur

- **La porte est-elle ouverte fréquemment?** Pour éviter une accumulation d'humidité, essayer de sortir de la cave à vin tout ce dont vous avez besoin en une fois, placer les bouteilles de vin avec l'étiquette orientée vers le haut de sorte qu'elles soient faciles à trouver et fermer la porte dès que le vin a été retiré. Lorsque la porte est ouverte, l'humidité de l'air extérieur pénètre dans la cave à vin. Plus la porte est ouverte, plus l'humidité s'accumule rapidement, surtout lorsque la pièce est très humide.
- **La pièce est-elle humide?** Il est normal que de l'humidité s'accumule à l'intérieur de la cave à vin lorsque l'air est humide.
- **Le réglage est-il correct pour les conditions existantes?** Se reporter à la section "Commandes".

## PORTE

### Causes Possibles et Solutions Recommandées

**⚠ AVERTISSEMENT**



**Risque d'Explosion**

**Utiliser un produit de nettoyage ininflammable.**

**Le non-respect de cette instruction peut causer un décès, une explosion ou un incendie.**

#### La porte est difficile à ouvrir

- **Le joint est-il sale ou collant?** Nettoyer le joint et la surface avec laquelle il est en contact. Frotter en appliquant une fine couche de paraffine sur le joint après le nettoyage.

#### La porte ne ferme pas complètement

- **Les porte-bouteilles sont-ils bien en place?** Remettre les porte-bouteilles en bonne position. Se reporter à la section "Porte-bouteilles" pour plus d'informations.
- **Le joint colle-t-il?** Nettoyer le joint et la surface avec laquelle il est en contact. Frotter en appliquant une fine couche de paraffine sur le joint après le nettoyage.



# ASSISTANCE

## Si vous avez besoin d'un entretien:

Avant de faire un appel pour assistance ou dépannage, vérifiez la section "Dépannage". Cette vérification peut vous faire économiser le coût d'une intervention de dépannage. Pour de l'aide supplémentaire, suivez les instructions ci-dessous.

Avant d'appeler, avoir à portée de la main la date d'achat, ainsi que les numéros de modèle et de série complets de l'appareil. Ces renseignements nous aideront à mieux répondre à votre demande. Consultez la page de garantie du présent manuel pour plus d'information sur l'entretien.

## Si vous avez besoin de pièces de rechange:

Les composants doivent être remplacés par des composants similaires et l'entretien doit être effectué par une personne d'entretien autorisée par l'usine, ce qui permettra de réduire les risques d'ignition possible causés par l'utilisation de mauvaises pièces ou le mauvais entretien.

## Aux États-Unis

Téléphoner au Centre pour l'eXpérience de la clientèle de KitchenAid sans frais: **1-800-422-1230**.

### Nos Consultants Fournissent de l'Assistance Pour:

- Caractéristiques et spécifications de notre gamme complète d'appareils ménagers.
- Renseignements d'installation.
- Procédés d'utilisation et d'entretien.
- Vente d'accessoires et de pièces de rechange.
- Assistance spécialisée au client (langue espagnole, malentendants, malvoyants, etc.).
- Les références aux concessionnaires, compagnies d'entretien et de réparation, et distributeurs de pièces de rechange locaux. Les techniciens d'entretien désignés par KitchenAid sont formés pour remplir la garantie des produits et fournir un service après garantie partout aux États-Unis.

Pour localiser la compagnie d'entretien désignée par KitchenAid dans votre région, vous pouvez également consulter les Pages jaunes.

### Pour Plus d'Assistance

Si vous avez besoin de plus d'assistance, vous pouvez écrire à KitchenAid en soumettant toute question ou problème à:

KitchenAid Brand Home Appliances  
Customer eXperience Center  
553 Benson Road  
Benton Harbor, MI 49022-2692

Dans votre correspondance, veuillez indiquer un numéro de téléphone où l'on peut vous joindre dans la journée.

## Au Canada

Téléphoner sans frais au Centre pour l'eXpérience de la clientèle de KitchenAid Canada au: **1-800-807-6777**.

### Nos Consultants Fournissent de l'Assistance Pour:

- Caractéristiques et spécifications de notre gamme complète d'appareils ménagers.
- Procédés d'utilisation et d'entretien.
- Vente d'accessoires et de pièces de rechange.
- Les références aux concessionnaires, compagnies d'entretien et de réparation, et distributeurs de pièces de rechange locaux. Les techniciens d'entretien désignés par KitchenAid Canada sont formés pour remplir la garantie des produits et fournir un service après garantie, partout au Canada.

### Pour Plus d'Assistance

Si vous avez besoin de plus d'assistance, vous pouvez écrire à KitchenAid Canada en soumettant toute question ou problème à:

KitchenAid Canada  
Customer eXperience Centre  
200 – 6750 Century Ave.  
Mississauga, Ontario L5N 0B7

Dans votre correspondance, veuillez indiquer un numéro de téléphone où l'on peut vous joindre dans la journée.

## Accessoires

Les accessoires pour cave à vin suivants sont disponibles. Pour commander un accessoire, veuillez communiquer avec nous et demander le numéro de pièce correspondant.

Aux États-Unis, visitez notre site web à **[www.kitchenaid.com/accessories](http://www.kitchenaid.com/accessories)** ou composer le **1-800-442-9991**.

Au Canada, visitez notre site web à **[www.whirlpoolparts.ca](http://www.whirlpoolparts.ca)** ou composer le **1-800-807-6777**.

### Nettoyant et poli pour acier inoxydable

Commander la pièce n° 4396095

## CAVA DE VINOS

### Guía de Uso y Cuidados e Instrucciones de Instalación

Para preguntas sobre los recursos, operaciones/desempeño, piezas, accesorios o servicio, llamar al: **1-800-422-1230**  
o acceda a nuestro sitio web... **www.kitchenAid.com**  
En Canadá, llamar al: **1-800-807-6777**, o acceda a nuestro sitio web... **www.KitchenAid.ca**

#### TABLA DE CONTENIDO

<b>SEGURIDAD DE LA CAVA DE VINOS .....</b>	<b>28</b>
Eliminación Adecuada de su Cava de Vinos Anterior..	29
<b>REQUISITOS DE INSTALACIÓN .....</b>	<b>29</b>
Herramientas y Piezas .....	29
Requisitos de la Localización .....	29
Dimensiones del Producto .....	30
Panel Recubierto Personalizado .....	30
Manija (Opcional) .....	31
Requisitos Eléctricos .....	31
<b>INSTRUCCIONES DE INSTALACIÓN .....</b>	<b>31</b>
Desempaque de la Cava de Vinos .....	31
Instalación del Panel Recubierto Personalizado .....	32
Instalación y Cierre de la Puerta .....	33
<b>USO DE LA CAVA DE VINOS .....</b>	<b>33</b>
Controles .....	33
Sonidos Normales .....	34
Abasteciendo la Cava de Vinos .....	35
Estanterías para Vino .....	35
<b>CUIDADOS Y LIMPIEZA .....</b>	<b>36</b>
Limpieza .....	36
Removiendo la Rejilla de la Base .....	36
Cuidados de Vacaciones .....	37
Cuidados de Desplazamiento .....	37
<b>RESOLUCIÓN DE PROBLEMAS .....</b>	<b>37</b>
<b>ASISTENCIA .....</b>	<b>39</b>
En EE.UU. ....	39
En Canadá .....	39
Accesorios .....	39

# SEGURIDAD DE LA CAVA DE VINOS

## Su seguridad y la de los demás es muy importante.

Hemos provisto muchos mensajes de seguridad importantes en este manual y en su aparato. Siempre lea y obedezca a todos los mensajes de seguridad.



Este es el símbolo de alerta de seguridad.

Ese símbolo le alertará con respecto a posibles peligros que pueden matar o herir a usted o a otros.

Todos los mensajes de seguridad acompañarán el símbolo de alerta de seguridad y las palabras "PELIGRO" o "ADVERTENCIA". Esas palabras significan:

### **⚠ PELIGRO**

**Usted puede morir o resultar gravemente herido si no sigue inmediatamente las instrucciones.**

### **⚠ ADVERTENCIA**

**Usted puede morir o resultar gravemente herido si no sigue las instrucciones.**

Todos los mensajes de seguridad le dirán cuáles son los posibles peligros, cómo reducir las posibilidades de lesiones y dirán qué podrá ocurrir si se dejan de seguir las instrucciones.

## INSTRUCCIONES DE SEGURIDAD IMPORTANTES

**ALERTA:** Para reducir el riesgo de incendio, choque eléctrico o lesión al utilizar su cava de vinos, siga estas siguientes precauciones básicas:

- Conéctela en un tomacorriente de 3 polos con toma de tierra.
- No retire la clavija con toma de tierra.
- No utilice un adaptador.
- No utilice una extensión eléctrica.
- Desconecte de la energía antes de realizar el mantenimiento.
- Sustituya todas las piezas y paneles antes de operar.
- Retire las puertas de su cava de vinos anterior.
- No utilice un limpiador inflamable.
- No almacene o utilice gasolina, líquidos inflamables o gas alrededor de ese o de otros aparatos eléctricos. Los vapores pueden causar incendios o explosiones.
- No almacene sustancias explosivas, como latas de aerosol, con un propulsor inflamable en esa cava de vinos.
- No utilice o inserte aparatos eléctricos en los compartimientos de la cava de vinos si estos no son del tipo expresamente autorizado por el fabricante.
- Utilice dos o más personas para mover e instalar la cava de vinos.
- Este aparato no ha sido diseñado para ser utilizado por personas (incluyendo niños) con capacidades físicas, sensoriales o mentales reducidas, o con falta de experiencia y conocimiento, a menos que ellos reciban supervisión o instrucción con respecto al uso del aparato por una persona responsable por su seguridad.
- Los niños deben ser supervisados para garantizar que no jugarán con el aparato.
- Para evitar riesgo de algún niño quede encerrado y con peligro de asfixia, no permita que ellos jueguen o que se escondan dentro de la cava de vinos.
- Si el cable de alimentación está dañado, debe ser sustituido por el fabricante, su agente de servicio o por una persona igualmente calificada.
- Mantenga las aberturas de ventilación del nicho o de la estructura integrada del aparato libres de obstrucción.
- No utilice aparatos mecánicos u otros medios para acelerar el proceso de descongelamiento además de aquellos recomendados por el fabricante.
- No dañe el circuito de refrigeración.

## GUARDE ESTAS INSTRUCCIONES

## Eliminación Adecuada de su Cava de Vinos Anterior

### ADVERTENCIA: Riesgo de niños atrapados. Antes de desechar su Cava de vinos anterior:

- Saque las puertas.
- Deje los estantes en su lugar para los niños no puedan introducirse con facilidad.

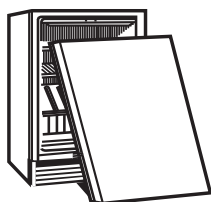
### ADVERTENCIA

#### Peligro de Asfixia

Quite las puertas o la tapa de su electrodoméstico anterior.

No seguir esta instrucción puede ocasionar la muerte o daño al cerebro.

**IMPORTANTE:** El atrapamiento y la asfixia de los niños no son problemas del pasado. Las cavas de vinos tirados y abandonadas igual constituyen un peligro, incluso si van a quedar ahí "por unos pocos días". Si está por deshacerse de su cava de vino anterior, siga las instrucciones a continuación para evitar accidentes.



### Información importante para saber acerca del desecho de refrigerantes:

Deshágase del refrigerador siguiendo los reglamentos federales y locales. Los refrigerantes deberán ser evacuados por un técnico certificado en refrigeración por EPA (Agencia de Protección del Medioambiente) según los procedimientos establecidos.

## REQUISITOS DE INSTALACIÓN

### Herramientas y Piezas

Reúna las herramientas y piezas necesarias antes de empezar la instalación.

#### Herramientas y piezas necesarias:

- Destornillador Phillips.
- Panel de Puerta Superior Personalizado - Vea "Puerta de Panel Recubierto Personalizado".
- Mango personalizado y equipo de montaje (opcional).

#### Piezas provistas:

- Tornillos de cabeza plana M4 x 30 (8).

## Requisitos de la Localización

### ADVERTENCIA



#### Peligro de Explosión

Mantenga materiales inflamables y vapores, como gasolina, lejos de la cava de vinos.

No hacerlo podrá resultar en muerte, explosión o incendio.

**IMPORTANTE:** Ese aparato ha sido diseñado para ser usado en ambientes domésticos y aplicaciones similares, tales como:

- Áreas con personal de cocina en tiendas, oficinas y otros ambientes de trabajo;
- Haciendas y por clientes en hoteles, moteles y otros tipos de ambientes residenciales;
- Ambientes del tipo albergues;
- Buffet y otras aplicaciones no comerciales.

#### NOTAS:

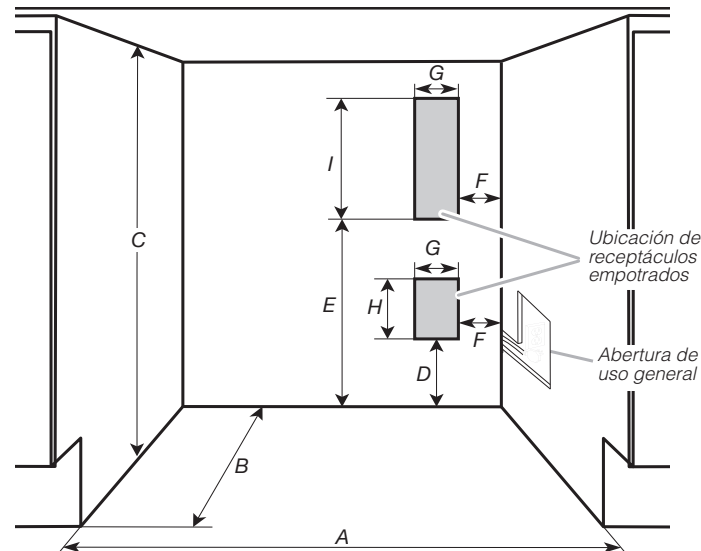
- Para que la cava de vinos quede al ras con la parte delantera de los gabinetes de la base, retire los zócalos o molduras de la parte trasera de la abertura. Consulte "Dimensiones del producto" y más adelante en esta sección, "Dimensiones de Abertura".
- Se recomienda que la cava de vinos no sea instalada cerca de un horno, radiador, u otra fuente de calor.
- No instale en un local donde la temperatura caerá por debajo de los 55 °F (13 °C). Para un mejor desempeño, no instale la cava de vinos por detrás de una puerta de alacena ni bloquee la rejilla de la base.

#### Dimensiones de abertura:

- Las dimensiones de altura se muestran con las patas de nivelación extendidas en su altura mínima.

**NOTA:** Cuando las patas de nivelación estuvieren totalmente extendidas, añada 5/8" (15 mm) a las dimensiones de altura. Vea "Dimensiones del Producto".

- Si el piso de la abertura no está nivelado con el piso de la cocina, calce la abertura para nivelarla con el piso de la cocina.



Dimensiones de la apertura y localización de los servicios	
Ancho de la apertura - A	24" (60.96 cm) mín.
Profundidad de la apertura- B	24" (60.96 cm) mín.
Altura de la apertura - C	34 <sup>1</sup> / <sub>2</sub> " (87.6 cm) mín. 35" (88.9 cm) máx.
Dimensión - D	12 <sup>1</sup> / <sub>16</sub> " (30.64 cm)
Dimensión - E	21 <sup>3</sup> / <sub>4</sub> " (55.16 cm)
Dimensión - F	1 <sup>3</sup> / <sub>4</sub> " (4.44 cm)
Dimensión - G	3" (7.55 cm)
Dimensión - H	4 <sup>1</sup> / <sub>2</sub> " (11.37 cm)
Dimensión - I	9 <sup>1</sup> / <sub>4</sub> " (23.47 cm)

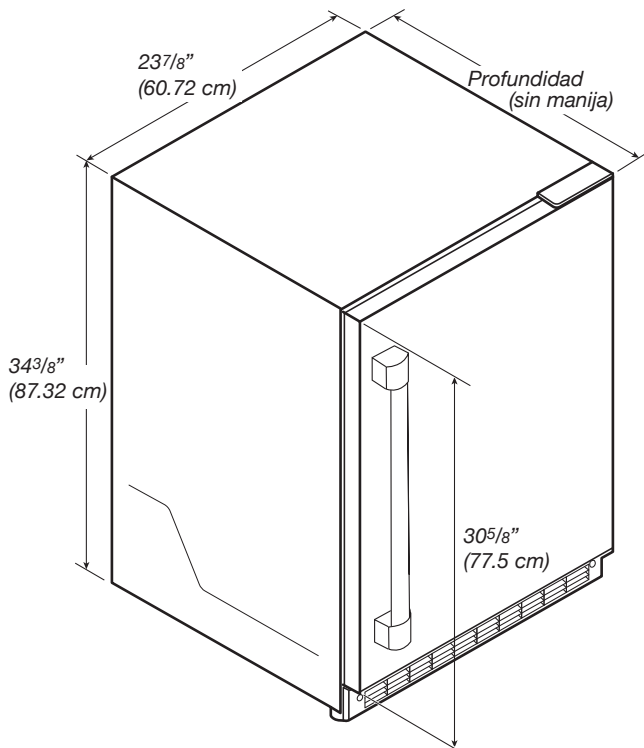
Para instalación al ras, el tomacorriente puede ser instalado en un gabinete adyacente con un corte en el lado del cable de alimentación para encaminarlo hasta allí.

El tomacorriente también puede ser empotrado en la pared posterior, por detrás de la unidad, según la localización de receptáculo recomendada en la ilustración arriba.

## Dimensiones del Producto

General del producto	
Ancho (hasta la tapa de la bisagra)	23 <sup>7</sup> / <sub>8</sub> " (60,72 cm)
Altura (hasta la tapa de la bisagra)	34 <sup>3</sup> / <sub>8</sub> " (87,32 cm)
Profundidad de modelos con paneles listos (con un panel de 3/4" y sin mango)	23 <sup>13</sup> / <sub>16</sub> " (60,5 cm)
Altura de la puerta	30 <sup>5</sup> / <sub>8</sub> " (77,75 cm)
Profundidad (sin manija)	23 <sup>5</sup> / <sub>8</sub> " (60,01 cm)

**NOTA:** El cable de alimentación tiene 60" (152,4 cm) de largo.



## Panel Recubierto Personalizado

**NOTA:** Para modelos estándar de acero inoxidable o de puertas de vidrio, omita esas instrucciones y proceda a la sección "Requisitos Eléctricos".

Si está planeando instalar un panel recubierto personalizado, usted mismo deberá crear el panel o consultar un fabricante de gabinetes o carpintero calificado. Consulte los dibujos de las dimensiones para las especificaciones del panel.

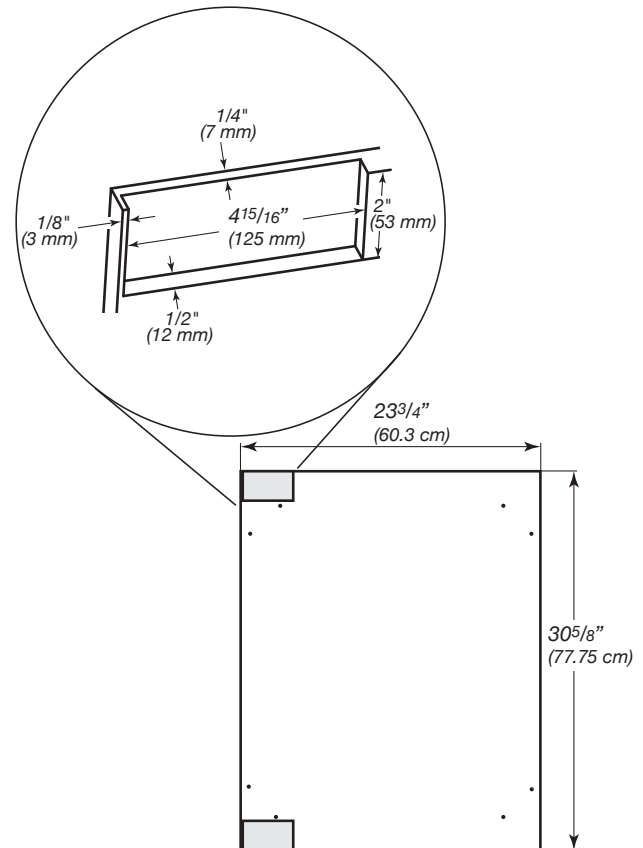
### IMPORTANTE:

- El espesor del panel recubierto debe ser 3/4" (19 mm).
- El panel recubierto personalizado de la puerta sólida no debe pesar más de 20 lb (9,07 kg).
- El panel recubierto personalizado de la puerta de vidrio no debe pesar más de 10 lb (4,54 kg).
- Páneles recubiertos que pesan más de lo recomendado pueden dañar su aparato.

### Panel recubierto de puerta sólida - Preparación:

Cree el panel recubierto personalizado utilizando las dimensiones exhibidas en la ilustración "Dimensiones del panel recubierto de puerta sólida y encaminamiento de las bisagras". Encamine las áreas sombreadas con una profundidad de 1/2" (12 mm), según la exhibición.

**IMPORTANTE:** Los gráficos siguientes muestran un panel personalizado para una puerta con bisagras instaladas a su derecha. Si su cava de vinos tiene bisagras instaladas a su izquierda, gire la estructura personalizada 180° para que las marcas de las bisagras estén a la izquierda.

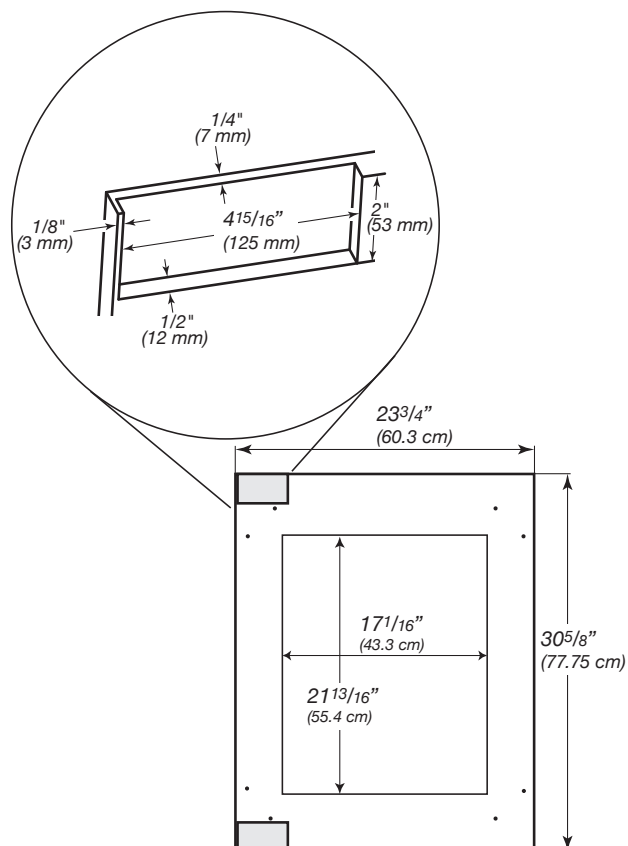


Dimensiones del panel recubierto de puerta sólida y encaminamiento de las bisagras.

## Panel recubierto de puerta de vidrio - Preparación:

Cree el panel recubierto personalizado utilizando las dimensiones que se muestran en la ilustración "Dimensiones del panel recubierto de puerta de vidrio y encaminamiento de las bisagras". Encamine las áreas sombreadas con una profundidad de 1/2" (12 mm), según la exhibición.

**IMPORTANTE:** Los gráficos siguientes muestran un panel personalizado para una puerta con bisagras instaladas a su derecha. Si su cava de vinos tiene bisagras instaladas a su izquierda, gire la estructura personalizada 180° para que las marcas de las bisagras estén a la izquierda.



Dimensiones del panel recubierto de puerta de vidrio y encaminamiento de las bisagras.

## Manija (opcional)

Las manijas personalizadas suelen estar fijadas solamente al panel recubierto personalizado de la puerta.

Consulte las instrucciones recibidas con los kits de manijas KitchenAid para instalar esas manijas en paneles de madera personalizados.

Las manijas personalizadas deben ser instaladas en el panel de la puerta con agujeros avellanados e instaladas antes que el panel recubierto personalizado de la puerta sea instalado en la puerta de la cava de vinos.

## Requisitos Eléctricos

### ⚠ ADVERTENCIA



#### Peligro de Choque Eléctrico

**Conéctela en un tomacorriente de 3 polos con toma de tierra.**

**No retire la clavija con toma de tierra.**

**No utilice un adaptador.**

**No utilice una extensión eléctrica.**

**No seguir estas instrucciones podrá resultar en muerte, incendio o choque eléctrico.**

Antes de mover su cava de vinos hasta su localización final, asegúrese de que usted posee la conexión eléctrica adecuada.

#### Método de puesta a tierra recomendado:

Una fuente de alimentación de 115 VAC, 60 Hz, 15 A o 20 A con fusibles y puesta a tierra es necesaria. Se recomienda un circuito separado para alimentar solamente a su cava de vinos. Utilice un tomacorriente que no puede ser apagado por un interruptor. No utilice una extensión eléctrica.

**NOTA:** Antes de realizar algún tipo de instalación, limpie o de quitar una bombilla, desconecte la cava de vinos o la fuente de alimentación.

## INSTRUCCIONES DE INSTALACIÓN

### Desempaque de la Cava de Vinos

### ⚠ ADVERTENCIA

#### Peligro de Peso Excesivo

**Use dos o más personas para mover e instalar o desinstalar el aparato.**

**No seguir esta instrucción puede ocasionar una lesión en la espalda u otro tipo de lesiones.**

Antes de utilizar su cava de vinos, deberá quitar todos los materiales de embalaje y limpiar el interior.

- Quite los residuos de cinta adhesiva y de pegamento de las superficies antes de encender su cava de vinos. Con sus dedos, frote una pequeña cantidad de detergente para platos sobre cualquier adhesivo y limpie con agua caliente para eliminarlo.
- No utilice instrumentos afilados, alcohol para frotar, fluidos inflamables o limpiadores abrasivos para eliminar cinta adhesiva o pegamento. Ellos pueden dañar las superficies

de su cava de vinos. Para más información, vea la sección "Seguridad de la Cava de Vinos".

- Deshágase de y/o recicle todos los materiales de embalaje.
- Después que todos los materiales de embalaje han sido quitados, limpie el interior de su cava de vinos. Vea las instrucciones de limpieza de la sección "Limpieza".

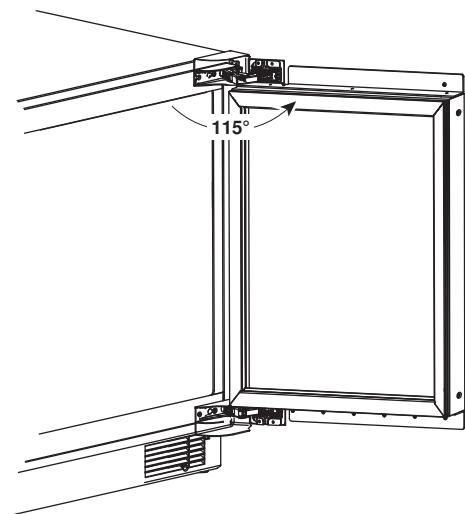
**NOTA:** Para modelos estándar de acero inoxidable o de puertas de vidrio, omita la sección "Cerrando la Puerta".

## Instalación del Panel Recubierto Personalizado

### IMPORTANTE:

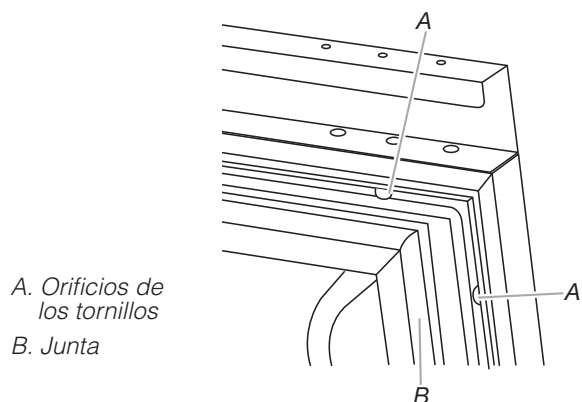
- Cree el panel recubierto personalizado según las especificaciones de la sección "Panel Recubierto Personalizado".
- KitchenAid no es responsable por la remoción o adición de estructuras o paneles decorativos que imposibilitan el acceso a la cava de vinos para mantenimiento.

1. Abra la puerta completamente en 115°.

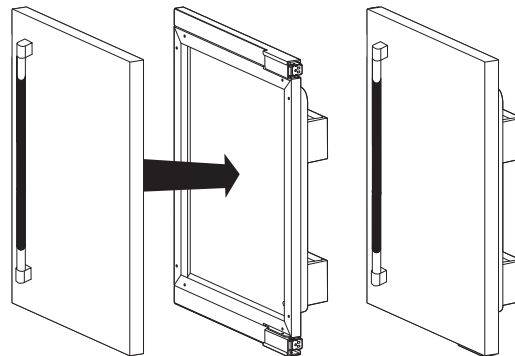


2. Retire las juntas de las esquinas de la puerta, jalando suavemente hasta que sea posible ver los dos orificios de tornillos en cada esquina de la puerta.

**NOTA:** No es necesario quitar toda la junta de la puerta, solo las esquinas.

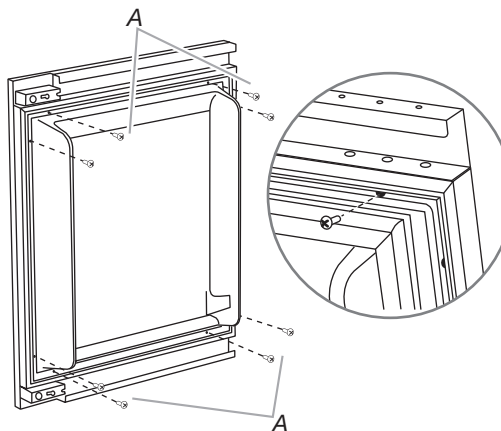


3. Utilizando dos personas, sostenga el panel recubierto personalizado contra la puerta. Asegúrese de que las bisagras superior e inferior se ajustan correctamente en el encaminamiento por detrás del panel personalizado de madera.



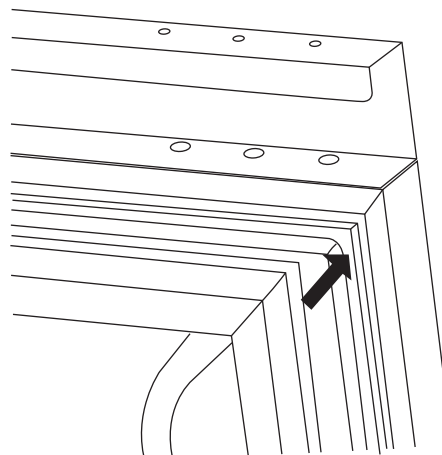
**NOTA:** La manija debe ser instalada antes que el panel recubierto de la puerta sea instalado en la puerta de la cava de vinos.

4. Fije en panel personalizado a la puerta utilizando dos tornillos de madera (provistos en el kit de instalación) en cada esquina.



A. Tornillos de cabeza plana M4 x 30 (provistos en el kit de instalación)

5. Presione la junta firmemente de nuevo en su posición original.





## Instalación y Cierre de la Puerta

Su cava de vinos tiene cuatro patas de nivelación. Si siente que su cava de vinos no está nivelada o si desea que la puerta se cierre con más facilidad, ajuste la inclinación de la cava de vinos utilizando las instrucciones abajo.

### ⚠ ADVERTENCIA



#### Peligro de Choque Eléctrico

**Conéctela en un tomacorriente de 3 polos con toma de tierra.**

**No retire la clavija con toma de tierra.**

**No utilice un adaptador.**

**No utilice una extensión eléctrica.**

**No seguir estas instrucciones podrá resultar en muerte, incendio o choque eléctrico.**

1. Conéctela en un tomacorriente de 3 polos con toma de tierra.

### ⚠ ADVERTENCIA

#### Peligro de Peso Excesivo

**Use dos o más personas para mover e instalar o desinstalar el aparato.**

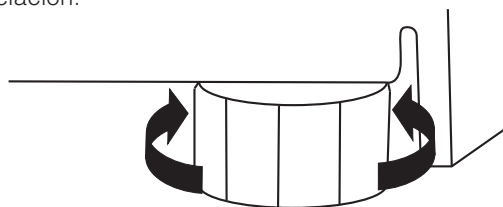
**No seguir esta instrucción puede ocasionar una lesión en la espalda u otro tipo de lesiones.**

### Al mover su Cava de Vinos:

Su cava de vinos es pesada. Al mover la cava de vinos para limpieza o mantenimiento, asegúrese de cubrir la puerta con cartón o HDF para evitar que la puerta sufra daños. Siempre jale la cava de vinos directamente para fuera al moverla. No menee o "camine" con la cava de vinos al intentar moverlo, pues eso podría dañar la puerta.

2. Mueva la cava de vinos hasta su localización final.
3. Gire las patas de nivelación a la derecha para bajar la cava de vinos o gire las patas de nivelación a la izquierda para levantarla. Pueden ser necesarios diversos giros de las patas de nivelación para ajustar la inclinación de la cava de vinos.

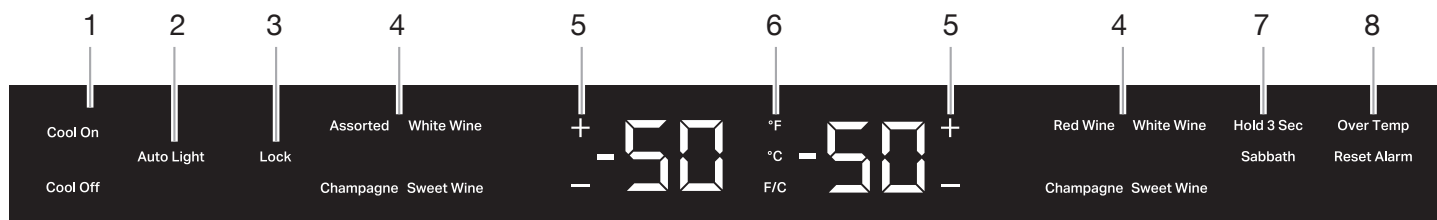
**NOTA:** Hacer que alguien empuje la parte superior de la cava de vinos reduce un poco del peso de las patas de nivelación. Eso facilita el ajuste de las patas de nivelación.



4. Abra la puerta y verifique si se cierra tan fácilmente como le gustaría. Si no, incline la cava de vinos un poco más hacia atrás girando los dos tornillos de nivelación delanteros a la derecha. Puede que sea necesario dar más vueltas, y las dos patas de nivelación deben ser giradas en la misma proporción.

## USO DE LA CAVA DE VINOS

### Controles



#### NOTAS:

- Cuando la cava de vinos es encendida por la primera vez, los estándares de temperatura serán ajustados según las configuraciones recomendadas.
- Hay dos controles de temperatura ajustables, uno para cada compartimiento.
- La temperatura izquierda y los paneles táctiles preajustados controlan la temperatura del compartimiento superior.
- La temperatura derecha y los paneles táctiles preajustados controlan la temperatura del compartimiento inferior.

#### 1. Encender/Apagar el Control

Al conectar la cava de vinos por la primera vez, el control estará en el modo Cool Off (Enfriar desactivado). Cool On (Enfriar activado) y Cool Off (Enfriar desactivado) serán las únicas opciones presentadas.

Presione Cool On (Enfriar activado) por 3 segundos para encender la cava de vinos. Todos los menús y configuraciones de temperatura recomendadas serán presentados.

Cool On  
Cool Off

#### 2. Opción Auto Luz

Presenta un sensor de proximidad en la rejilla de base que automáticamente enciende la iluminación LED del visualizador interior

Auto Light

cuando detecta movimiento. Cuando deja de detectar movimiento, la luz del visualizador interior será apagada después de 2 minutos.

- Presione la opción AUTO LUZ para activar ese recurso.
- Cuando AUTO LUZ no está activada, la luz del visualizador interior será encendida solamente cuando se abre la puerta.

**NOTA:** Dejar la luz encendida por un período prolongado aumentará ligeramente la temperatura de la cava de vino.

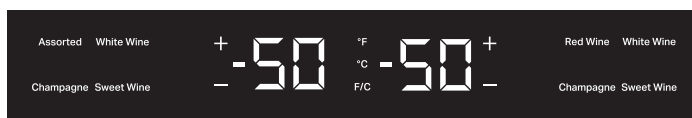
### 3. Bloqueo de Control

Evita cambios no intencionales de temperatura y facilita la limpieza de los controles.

Para activar el modo de Bloqueo, presione y mantenga Lock (Bloquear) presionado por 3 segundos. Después de la cuenta regresiva, todos los otros visualizadores serán apagados y estarán indisponibles, excepto Cool On (Enfriar activado), Cool Off (Enfriar desactivado) y Lock (Bloquear).

Lock

### 4. Utilizando los Preajustes



Para su conveniencia, su cava de vinos también posee controles que han sido preajustados según la temperatura de almacenamiento recomendada para vinos específicos. Presionar cualquier opción preajustada definirá la temperatura a la temperatura recomendada para el vino específico:

Variados: 54 °F (12 °C)

Champán: 46 °F (7 °C)

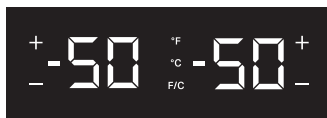
Vino tinto: 64 °F (17 °C)

Vino dulce: 42 °F (5 °C)

Vino blanco: 50 °F (10 °C)

### 5. Ajustando las Temperaturas

Para ajustar temperaturas de valores objetivos, presione "+" (más) o "-" (menos) hasta llegar a la configuración de temperatura deseada. El control estará configurado correctamente cuando el vino esté tan helado como quiera.



#### NOTAS:

- El valor objetivo para la cava de vino es 50 °F (10 °C) tanto para el compartimiento superior como inferior. El rango del valor objetivo para el compartimiento superior es 42 °F a 54 °F (5 °C a 12 °C) y 42 °F a 64 °F (5 °C a 17 °C) para el compartimiento inferior.
- Espere al menos 24 horas entre los ajustes para que el producto se aclimate. Verifique las temperaturas nuevamente antes de hacer ajustes adicionales.

### 6. Viendo Temperaturas Celsius/Fahrenheit

Presione el panel táctil F/C para alternar entre exhibir la temperatura en grados Fahrenheit y grados Celsius. El indicador correspondiente se encenderá.

°F  
°C  
F/C

### 7. Modo de Sabbath (Sábado)

Permite que la puerta de la cava de vinos permanezca abierta o cerrada durante el sábado u otros feriados religiosos sin encender o apagar directamente cualquier luz, lectura digital, ventilador, válvula, sonido o alarma. Al seleccionar ese recurso, el valor objetivo de la temperatura no cambiará, pero las luces del panel de control, las luces interiores y el audio de control serán apagados. Para una operación más eficiente de la cava de vinos, se recomienda salir del modo de Sabbath (Sábado) cuando ese deja de ser necesario.

Hold 3 Sec  
Sabbath

- Presione y mantenga Sabbath (Sábado) presionado por 3 segundos para encender el recurso. Después de la cuenta regresiva de 3 segundos, el recurso será activado y todos los otros visualizadores serán apagados.
- Presione y mantenga Sabbath (Sábado) presionado por 3 segundos para apagar el recurso y encender el visualizador.

### 8. Alarma de Exceso de Temperatura

El recurso Exceso de Temperatura ha sido diseñado para alertarle que la temperatura de la cava de vinos se ha elevado por encima de los 70 °F (21 °C) por 4 horas o más. La alarma sonora se apagará automáticamente cuando la temperatura vuelva a la normalidad. Para que sepa que una condición de Exceso de Temperatura ha ocurrido, la luz indicadora intermitente seguirá encendida hasta que el panel táctil Reiniciar Alarma sea presionado.

Over Temp  
Reset Alarm

Si la condición de exceso de temperatura todavía está presente cuando se realiza el reinicio de Over Temp (Exceso de temperatura), la luz del indicador continuará reactivándose cada 4 horas hasta que la temperatura de la cava de vinos esté por debajo del rango preestablecido.

**NOTA:** Esos recursos no aparecerán en su control a menos que su cava de vinos esté por encima de los 70 °F (21 °C) y la alarma deba ser reiniciada.

### 9. Alarma de Puerta Abierta

Ayuda a evitar que el vino se eche a perder dando una alerta sonora y visual si se deja la puerta abierta por más de 5 minutos.

Si se deja la puerta abierta por más de 5 minutos, una alarma sonará cada 2 minutos hasta que la puerta se cierre o se presione algún control.

### 10. Modo Sala de Exposición

Este modo es utilizado solamente cuando la cava de vinos está en exhibición en una tienda minorista. Para activar el modo Sala de exposición mantenga presionado al mismo tiempo, Cool On (Enfriar activado) y Sabbath (Sábado), durante 3 segundos. En caso que encienda el modo de Sala de exposición, Cool Off (Enfriar desactivado) se encenderá en el visualizador, y los controles aparecerán para operación. Salga del modo de Sala de exposición al mantener presionados Cool On (Enfriar activado) y Sabbath (Sábado) al mismo tiempo por 3 segundos.

## Sonidos Normales

Su nueva cava de vinos puede producir ruidos que su cava anterior no producía. Como esos sonidos le son nuevos, ellos pueden preocuparle. La mayor parte de esos nuevos sonidos son normales. Superficies duras, como el piso y las estructuras adyacentes, pueden hacerlos sonar más alto. Lo siguiente describe los tipos de sonidos y qué les pueden estar produciendo.

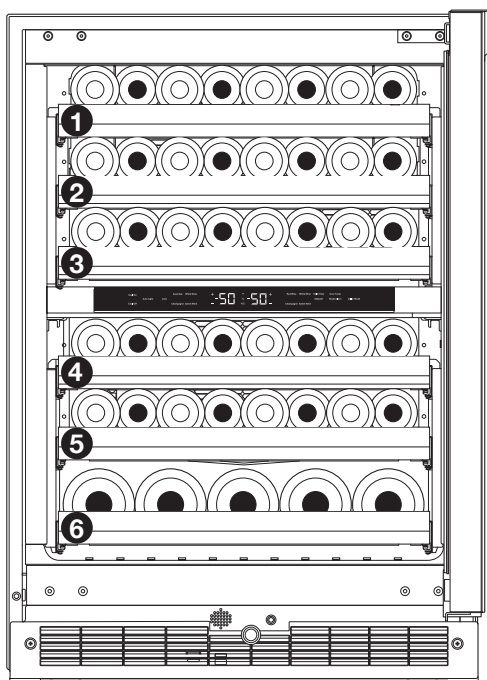
- Su cava de vinos está diseñada para funcionar de forma más eficiente para mantener su vino a las temperaturas deseadas y para minimizar el uso de energía.

El compresor de alta eficiencia y los ventiladores pueden hacer su cava de vinos funcionar por más tiempo que su cava de vinos anterior. Puede que usted también escuche un sonido pulsado o agudo del compresor o ventiladores ajustándose para un desempeño óptimo.

- Un ruido de cascabeleo puede originarse del flujo del refrigerante o de artículos almacenados dentro de la cava de vinos.
- A medida que cada ciclo termina, usted podrá escuchar un sonido de gorgoteo debido al flujo del refrigerante en su cava de vinos.
- Usted podrá escuchar agua corriendo en la bandeja de drenaje cuando la cava de vinos es descongelada.
- Usted podrá escuchar sonidos de clics cuando la cava de vinos empieza o para de funcionar.

## Abasteciendo la Cava de Vinos

**NOTA:** Para un almacenamiento de vinos óptimo, ponga los vinos blancos en la parte superior de la cava de vinos, vinos tintos ligeros en el centro y champán/botellas de vino de diámetro más grande en la parte inferior.



**Estanterías 1-5:** Para poner hasta ocho botellas de vino de 750 ml [diámetro menor que o igual que 3 1/8" (80 mm)].

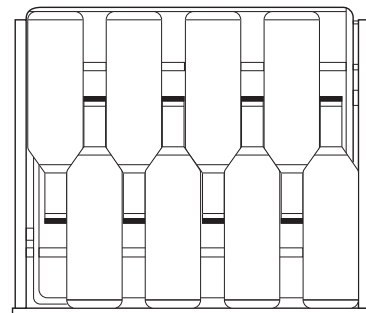
**Estantería 6:** Para poner hasta cinco botellas de vino más grandes [diámetro de hasta 3 3/4" (95 mm)].

### Para abastecer la Cava de Vinos - Estantería 1 a 5:

**NOTA:** Puede abastecer la estantería de vinos con las botellas hacia cualquier dirección. Sin embargo, para optimizar el abastecimiento, las botellas contiguas deben estar hacia el lado opuesto.

1. Empezee abasteciendo la cava de vinos con la estantería de exhibición inferior (5).
2. Empezando por la izquierda, ponga la primera botella en la parte inferior de la estantería con el cuello de la botella hacia la parte delantera de la cava de vinos.

3. Ponga la próxima botella a su lado con el cuello hasta la parte de atrás de la cava de vinos. Alterne la dirección de las botellas de esa manera, hasta que la estantería de exhibición esté llena.

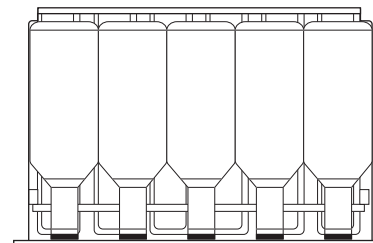


4. Deslice la estantería inferior en su lugar y jale la próxima estantería (4) hacia adelante.

5. Continúe abasteciendo las estanterías restantes según descrito en las etapas anteriores.

### Para abastecer la Cava de Vinos - Estantería 6:

1. Empezando por la izquierda de la estantería inferior, ponga la primera botella con el cuello hacia la parte delantera de la cava de vinos.

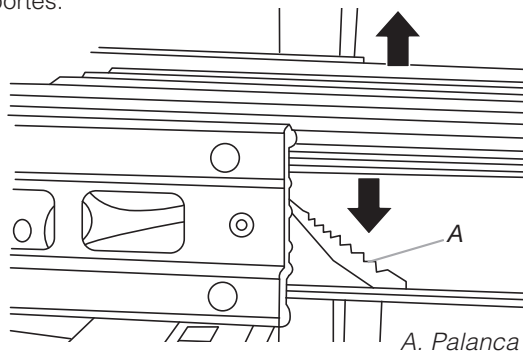


2. Continúe poniendo las botellas restantes hacia la misma dirección.

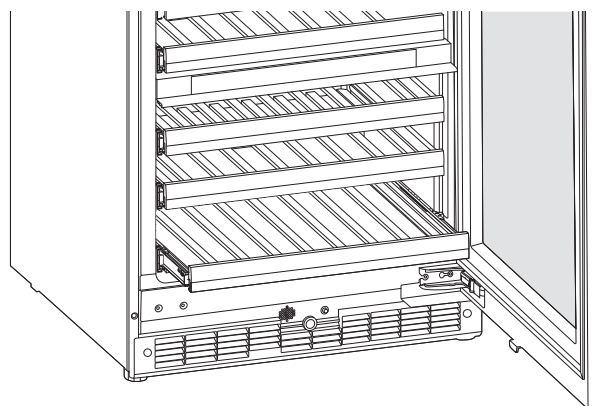
## Estanterías para Vino

### Para quitar y sustituir las estanterías:

1. Jale la estantería hacia adelante hasta que ella pare.
2. Presione la palanca izquierda hacia abajo mientras levanta la palanca derecha para soltar la estantería. Jale la estantería hacia adelante y levántela y sáquela de los soportes.



3. Sustituya la estantería insiriéndola en los soportes y deslizándola en ellos hasta que esté trabada.



# CUIDADOS Y LIMPIEZA

## Limpieza

### ⚠ ADVERTENCIA



#### Peligro de Explosión

**Riesgo de incendio o explosión.**

**Refrigerante inflamable utilizado.**

**No use dispositivos mecánicos para descongelar el refrigerador.**

**No perforo la tubería del refrigerante.**

Limpie la cava de vinos una vez al mes para evitar el acúmulo de olores. Limpie derrames inmediatamente.

#### Para limpiar su Cava de Vinos:

1. Desconecte la cava de vinos o la fuente de alimentación.
2. Retire todas las estanterías del interior de la cava de vinos.
3. Lave a mano, enjuague y seque las piezas removibles y las superficies interiores con atención. Utilice una esponja limpia o un paño y detergente suaves en agua caliente.
  - Para evitar dañar dientes de madera y piezas de recorte, límpielos con una esponja limpia o un paño suave y agua caliente. No utilice detergente o sumerja la estantería entera en agua al limpiar.
  - No utilice limpiadores abrasivos o duros, como limpiadores en aerosol de ventanas, limpiadores de fregar, fluidos inflamables, ceras de limpieza, detergentes concentrados, blanqueadores o limpiadores que contengan productos de petróleo en piezas de plástico, en el interior y en los revestimientos de las puertas o juntas. No utilice toallas de papel, estropajos u otras herramientas duras de limpieza. Estos pueden rayar o dañar los materiales.
  - Para ayudar a eliminar olores, usted puede lavar las paredes interiores con una mezcla de agua caliente y bicarbonato de sodio [2 cucharitas para 1 qt (26 g para 0,95 L) de agua].
4. Lave acero inoxidable y exteriores de metal pintado con una esponja limpia o con un paño y detergente suaves en agua caliente. No utilice limpiadores abrasivos, limpiadores duros o limpiadores que contienen cloro. Estos pueden rayar o dañar los materiales. Seque inmediatamente con un paño suave y seco para absorber los restos de agua.

**NOTA:** Para mantener su cava de vinos de acero inoxidable como nueva y para eliminar rayas y marcas menores, se recomienda que utilice el limpiador y pulidora de acero inoxidable aprobados por el fabricante. Para más información sobre limpiadores, vea la sección "Accesorios".

#### IMPORTANTE:

- ¡Ese limpiador sirve solamente para piezas de acero inoxidable!
- No permita que el limpiador y pulidora de acero inoxidable entre en contacto con piezas de plástico, como las piezas de recorte, las tapas del dispensador o las juntas de la puerta.

En caso de contacto no intencional, limpie la pieza de plástico con una esponja y detergente suave en agua caliente. Seque inmediatamente con un paño suave y seco para absorber los restos de agua.

5. Vuelva a colocar las estanterías.

#### Limpieza del condensador

### ⚠ ADVERTENCIA



#### Peligro de Explosión

**Riesgo de incendio o explosión a causa de la perforación de la tubería del refrigerante.**

**Siga con cuidado las instrucciones de manipulación.**

**Refrigerante inflamable utilizado.**

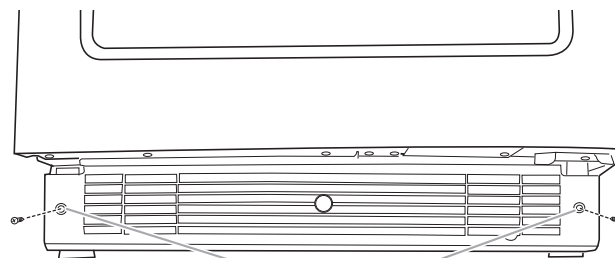
1. Retire la rejilla de la base para acceder al condensador para limpieza. Vea la sección "Para Quitar la Rejilla de la Base".
2. Limpie las bobinas del condensador regularmente. Estas se encuentran por detrás de la rejilla de la base. Las bobinas deben ser limpiadas una vez cada dos meses. Eso puede ayudar a ahorrar energía.

## Removiendo la Rejilla de la Base

Debe quitar la rejilla de la base para acceder a las bobinas del condensador para limpieza.

#### Para quitar la rejilla de la base:

1. Abra la puerta de la cava de vinos.



A. Tornillos

2. Utilizando un destornillador Phillips, retire los dos tornillos.
3. Retire la rejilla de la base.

#### Para sustituir la rejilla de la base:

1. Abra la puerta de la cava de vinos.
2. Coloque la rejilla de la base para que las dos pestañas se alineen y esta se encaje en la posición. Vuelva a poner los dos tornillos. Apriete los tornillos.

## Cuidados de Vacaciones

Si elige apagar la cava de vinos antes de partir, siga estos pasos.

1. Retire todas las botellas de la cava de vinos.
2. Desconecte la cava de vinos.
3. Limpie la cava de vinos. Vea la sección "Limpieza".
4. Coloque una goma o un bloque de madera con una cinta adhesiva en la parte superior de la puerta para mantenerla suficientemente abierta para que el aire pueda entrar. Eso impedirá la acumulación de olores y moho.

## Cuidados de Desplazamiento

Al mover su cava de vinos a su nuevo hogar, siga estos pasos para prepararla para el desplazamiento.


1. Retire todas las botellas de vino de la cava de vinos.
2. Desconecte la cava de vinos.
3. Limpie, frote y seque bien la cava de vinos.
4. Retire todas las piezas removibles, envuélvelas bien y fíjelas con cinta para que no se desplacen y hagan ruidos durante la mudanza.
5. Cierre las puertas y prenda el cable de alimentación a la cava de vinos con cinta.

Al llegar en su nuevo hogar, ponga todo en su respectivo lugar y consulte las "Instrucciones de Instalación" que ha recibido con la cava de vinos.

# RESOLUCIÓN DE PROBLEMAS

Intente las soluciones sugeridas aquí primero para evitar los costos de llamadas innecesarias de servicio de atención al cliente.

**⚠ ADVERTENCIA**



**Peligro de Choque Eléctrico**

**Conéctela en un tomacorriente de 3 polos con toma de tierra.**

**No retire la clavija con toma de tierra.**

**No utilice un adaptador.**

**No utilice una extensión eléctrica.**

**No seguir estas instrucciones podrá resultar en muerte, incendio o choque eléctrico.**

### OPERACIÓN GENERAL

### Causas Posibles y/o Soluciones Recomendadas

#### La Cava de Vinos no funciona

- **¿El cable de alimentación está desconectado?** Conéctelo en un tomacorriente de 3 polos con toma de tierra.
- **¿El tomacorriente está funcionando?** Conecte una lámpara para verificar si el tomacorriente está funcionando.
- **¿Fusible doméstico quemado o un disyuntor disparado?** Sustituya el fusible o reinicie el circuito. Si el problema persiste, llame a un electricista.
- **¿Los controles están encendidos?** Asegúrese de que los controles de la cava de vinos están encendidos. Consulte la sección "Controles".

#### Parece que el motor funciona por mucho tiempo

- **¿La temperatura externa está más elevada de lo normal?** Espere que el motor funcione por más tiempo en condiciones más calientes. Bajo temperaturas normales, espere que el motor funcione alrededor del 40 % al 80 % del tiempo. Bajo condiciones más calientes, espere que este funcione por más tiempo.
- **¿Las puertas se abren con frecuencia?** Espere que el motor funcione por más tiempo cuando eso se pasa. Para conservar energía, intente tomar todo lo que necesita de la cava de vinos de una sola vez. Mantenga las botellas posicionadas con sus rótulos hacia arriba para que sean fáciles de localizar y cierre la puerta después de sacar el vino.



## OPERACIÓN GENERAL

### Causas Posibles y/o Soluciones Recomendadas

Parece que el motor funciona por mucho tiempo

- **¿Los controles se configuraron correctamente para las condiciones del ambiente?** Consulte la sección "Controles".
- **¿La puerta se cerró completamente?** Empuje la puerta con firmeza para cerrarla bien. Si la puerta no se cierra completamente, vea "La puerta no se cierra completamente", más adelante, en esta sección.
- **¿Las bobinas del condensador están sucias?** Eso obstruye la transferencia del aire y hace que el motor trabaje más duro. Limpie las bobinas del condensador. Vea la sección "Limpieza".

## TEMPERATURA Y HUMEDAD

### Causas Posibles y/o Soluciones Recomendadas

La temperatura está demasiado caliente

- **¿Las puertas se abren con frecuencia?** Sepa que la cava de vinos se calentará cuando eso pasa. Para mantener la cava de vinos fría, intente tomar todo lo que necesita de la cava de vinos de una sola vez. Mantenga las botellas posicionadas con sus rótulos hacia arriba para que sean fáciles de localizar y cierre la puerta después de retirar el vino.
- **¿Los controles se configuraron correctamente para las condiciones del ambiente?** Consulte la sección "Controles".
- **¿La rejilla de la base está bloqueada?** Para un mejor desempeño, no instale la cava de vinos por detrás de una puerta de alacena ni bloquee la rejilla de la base.

Hay acúmulo de humedad interior

- **¿Las puertas se abren con frecuencia?** Para evitar la acumulación de humedad, intente tomar todo lo que necesita de la cava de vinos de una sola vez, mantenga las botellas posicionadas con sus rótulos hacia arriba para que sean fáciles de localizar y cierre la puerta después de retirar el vino. Cuando la puerta es abierta, la humedad de la habitación entra en la cava de vinos. Entre más se abra la puerta, más rápido la humedad se acumula, en especial si la habitación en sí es muy húmeda.
- **¿Está húmedo?** Es normal que la humedad se acumule en el interior de la cava de vinos cuando el aire está húmedo.
- **¿Los controles se configuraron correctamente para las condiciones del ambiente?** Consulte la sección "Controles".

## PUERTA

### Causas Posibles y/o Soluciones Recomendadas

**⚠ ADVERTENCIA**



**Peligro de Explosión**

**Utilice un limpiador no inflamable.**

**No hacerlo podrá resultar en muerte, explosión o incendio.**

Es difícil abrir la puerta

- **¿El empaque está sucio y pegajoso?** Limpie la junta y la superficie que entra en contacto con ella. Aplique una delgada capa de parafina sobre la junta después de la limpieza.

La puerta no se cierra completamente

- **¿Las estanterías no están bien posicionadas?** Vuelva a insertar las estanterías en sus posiciones correctas. Consulte la sección "Estantes de Vino" para obtener más información.
- **¿El empaque está pegajoso?** Limpie la junta y la superficie que entra en contacto con ella. Aplique una delgada capa de parafina sobre la junta después de la limpieza.



# ASISTENCIA

## Si necesita servicio:

Antes de llamar para solicitar asistencia o servicio, verifique "Resolución de problemas". Puede ahorrarle el costo de un servicio. Si aún necesita ayuda, siga las instrucciones a continuación.

Cuando llame, sepa la fecha de compra y el modelo completo y número de serie de su aparato. Esta información nos ayudará a responder mejor a su solicitud. Consulte la página de garantía de este manual para obtener más información sobre el servicio.

## Si necesita piezas de repuesto:

Los componentes deben reemplazarse por componentes similares y el servicio debe ser realizado por personal autorizado de la fábrica, para minimizar el riesgo de posible ignición debido a piezas incorrectas o servicio inadecuado.

## En EE.UU.

Llame al centro para la eXperiencia del cliente de KitchenAid sin costo alguno al: **1-800-422-1230**.

### Nuestros consultores ofrecen ayuda para:

- Características y especificaciones de nuestra línea completa de electrodomésticos.
- Información sobre la instalación.
- Procedimiento para el uso y mantenimiento.
- Venta de accesorios y partes para reparación.
- Asistencia especializada para el consumidor (habla hispana, problemas de audición, visión limitada, etc.).
- Recomendaciones con distribuidores locales, compañías que dan servicio y distribuidores de partes para reparación. Los técnicos designados por KitchenAid están capacitados para cumplir con la garantía de producto y ofrecer servicio una vez que la garantía termine, en cualquier lugar de Estados Unidos.

Para localizar a una compañía de servicio designada por KitchenAid en su área, también puede consultar la sección amarilla de su guía telefónica.

### Para obtener asistencia adicional

Si necesita asistencia adicional, puede escribir a KitchenAid con sus preguntas o dudas a:

KitchenAid Brand Home Appliances  
Customer eXperience Center  
553 Benson Road  
Benton Harbor, MI 49022-2692

Por favor incluya en su correspondencia un número de teléfono en el que se le pueda localizar durante el día.

## En Canadá

Llame al Centro para la eXperiencia del cliente de KitchenAid en Canadá sin costo alguno al: **1-800-807-6777**.

### Nuestros consultores ofrecen ayuda para:

- Características y especificaciones de nuestra línea completa de electrodomésticos.
- Procedimiento para el uso y mantenimiento.
- Venta de accesorios y partes para reparación.
- Recomendaciones con distribuidores locales, compañías que dan servicio y distribuidores de partes para reparación. Los técnicos designados por KitchenAid Canada están capacitados para cumplir con la garantía del producto y ofrecer servicio una vez que la garantía termine, en cualquier lugar de Canadá.

### Para obtener asistencia adicional

Si necesita asistencia adicional, puede escribir a KitchenAid Canada con sus preguntas o dudas a:

KitchenAid Canada  
Customer eXperience Centre  
200 – 6750 Century Ave.  
Mississauga, Ontario L5N 0B7

Por favor incluya en su correspondencia un número de teléfono en el que se le pueda localizar durante el día.

## Accesorios

Los siguientes accesorios están disponibles para su cava de vinos. Para hacer un pedido de un accesorio, contáctenos y pida los números de pieza.

En EE.UU., visite nuestro sitio de internet en **[www.kitchenaid.com/accessories](http://www.kitchenaid.com/accessories)** o llame al **1-800-442-9991**.

En Canadá, visite nuestro sitio de internet en **[www.whirlpoolparts.ca](http://www.whirlpoolparts.ca)** o llame al **1-800-807-6777**.

### Limpiador de acero inoxidable

Pida la pieza No. 4396095

